

DOT MATRIX PRINTER

SP200F SERIES

***USER'S MANUAL
MODE D'EMPLOI
BEDIENUNGSANLEITUNG
MANUALE DI ISTRUZIONI***

star 

**Federal Communications Commission
Radio Frequency Interference
Statement**

This equipment has been tested and found to comply with the limits for a Class A digital device, pursuant to Part 15 of the FCC Rules. These limits are designed to provide reasonable protection against harmful interference when the equipment is operated in a commercial environment. This equipment generates, uses and can radiate radio frequency energy and, if not installed and used in accordance with the instruction manual, may cause harmful interference to radio communications. Operation of this equipment in a residential area is likely to cause harmful interference in which case the user will be required to correct the interference at his own expense.

For compliance with the Federal Noise Interference Standard, this equipment requires a shielded cable.

This statement will be applied only for the printers marketed in U.S.A.

**Statement of
The Canadian Department of Communications
Radio Interference Regulations**

This digital apparatus does not exceed the Class A limits for radio noise emissions from digital apparatus set out in the Radio Interference Regulations of the Canadian Department of Communications.

Le présent appareil numérique n'émet pas de bruits radioélectriques dépassant les limites applicables aux appareils numériques de la classe A prescrites dans le Règlement sur le brouillage radioélectrique édicté par le ministère des Communications du Canada.

The above statement applies only to printers marketed in Canada.

**CE
Manufacturer's Declaration of Conformity**

EC Council Directive 89/336/EEC of 3 May 1989

This product, has been designed and manufactured in accordance with the International Standards EN 50081-1/01.92 and EN 50082-1/01.92, following the provisions of the Electro Magnetic Compatibility Directive of the European Communities as of May 1989.

EC Council Directive 73/23/EEC and 93/68/EEC of 22 July 1993

This product, has been designed and manufactured in accordance with the International Standards EN 60950, following the provisions of the Low Voltage Directive of the European Communities as of July 1993.

The above statement applies only to printers marketed in EU.

Trademark acknowledgments

SP200F Series: Star Micronics Co. Ltd.

VeriFone: VeriFone, Inc.

ESC/POS: Seiko Epson Corporation

Notice

- All rights reserved. Reproduction of any part of this manual in any form whatsoever, without STAR's express permission is forbidden.
- The contents of this manual are subject to change without notice.
- All efforts have been made to ensure the accuracy of the contents of this manual at the time of going to press. However, should any errors be detected, STAR would greatly appreciate being informed of them.
- The above notwithstanding, STAR can assume no responsibility for any errors in this manual.

TABLE OF CONTENTS

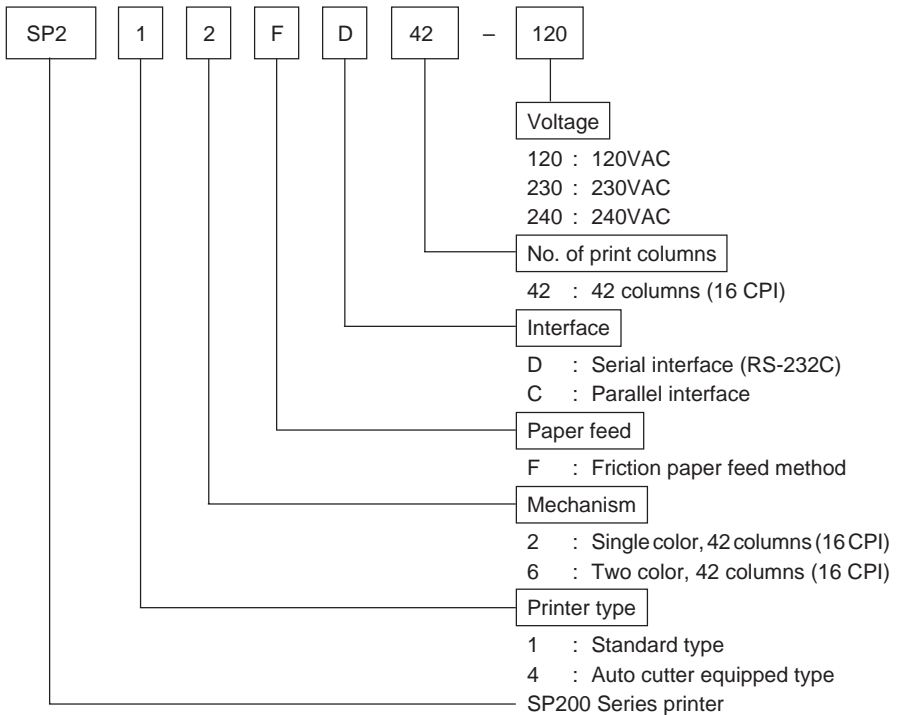
1. Outline	1
2. Unpacking and Installation	2
2-1. Unpacking	2
2-2. Locating the printer	3
2-3. Handling Care	3
2-4. Maintenance	3
3. Parts Identification and Nomenclature	4
4. Loading the Ribbon Cartridge and Paper	6
4-1. SP210 type	6
4-2. SP240 type	9
4-3. Removing the Paper	14
4-4. Connecting the Interface Cable	14
5. Control Panel	16
5-1. Basic Operation	16
5-2. Switch Operation (Combined Switch Operation)	17
6. Control Codes	19
STAR mode	19
6-1. Control Codes Used in Character Setting	19
6-2. Control Codes Used in Print Mode Setting	19
6-3. Control Codes Used in Line Spacing	19
6-4. Control Codes Used for Peripheral Units	20
6-5. Auto Cutter Control	20
6-6. Other Control Codes	20
Appendix A: Serial Interface	87
A-1. Connectors and Signals	87
A-2. Interface Connections	88
A-3. Dip Switch Setting	89
A-4. Communication Protocol	90
Appendix B: Parallel Interface	92
B-1. Interface Specifications	92
B-2. Interface Timing	92
B-3. Connectors and Signals	93
B-4. Dip Switch Setting	94
Appendix C: Peripheral Unit Drive Circuit	95
Appendix D: General Specifications	97
Appendix E: Character Font Table	100
E-1. U.S.A.	100
E-2. Europe	102
E-3. International Character Sets	104

1. Outline

The SP200 Series Serial Impact Dot Matrix Printer is designed for use with electronic instruments such as POS, banking equipment, computer peripheral equipment, etc.

The major features of the SP200 Series are as follows:

1. Bi-directional printing at approx. 2.5 lines/sec.
2. Serial interface or Parallel interface.
3. The data buffer allows the unit to receive print data even during printing.
4. Peripheral unit drive circuit enables control of external devices such as cash drawers.

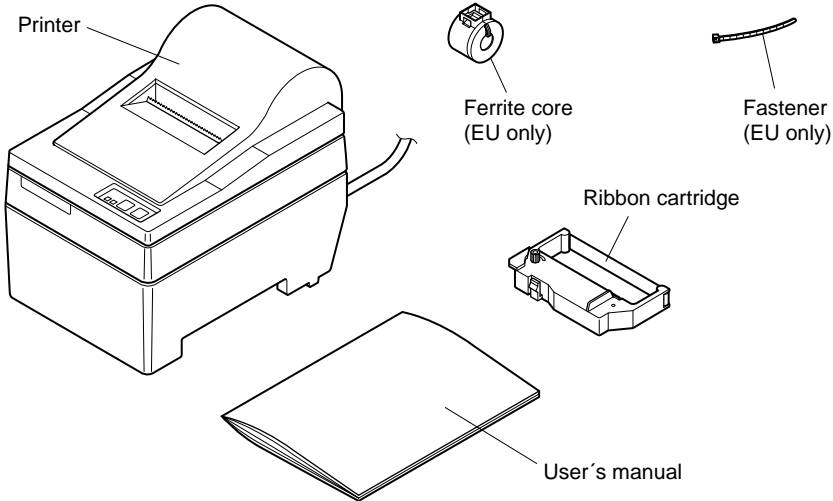


2. Unpacking and Installation

2-1. Unpacking

After unpacking the unit, check that all the necessary accessories are included in the package.

SP210 type



SP240 type

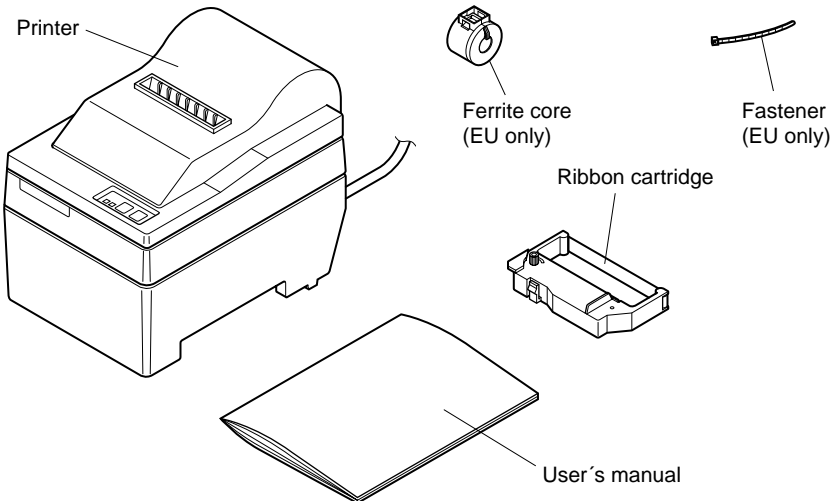


Fig. 2-1 Unpacking

2-2. Locating the printer

When you locate your printer, keep the following tips in mind:

1. Protect your printer from excessive heat such as direct sunlight or heaters, and keep it away from moisture and dust.
2. Place the printer on a firm, level surface which is fairly vibration-free.
3. A steady power supply that is not subject to power surges should be connected to the printer.
For example, do not connect it to the same circuit as a large, noise-producing appliance such as a refrigerator or an air conditioner.
4. Make sure the line voltage is the voltage specified on the printer's identification plate.
5. To disconnect the printer, the plug has to be disconnected from the wall socket, which has to be located close to the printer, and easy to access.

2-3. Handling Care

1. Be careful not to drop paper clips, pins or other foreign matter into the unit as these cause the printer to malfunction.
2. Do not attempt to print when either paper or ribbon cartridge is not located in the printer, otherwise the print head can be damaged.
3. Do not open the cover while printing.
4. Do not touch the print head immediately after printing as it gets very hot.
5. Use only roll paper that is not glued to the core.
6. When the paper end mark appears on the paper, replace the roll paper before it runs out.

2-4. Maintenance

Essentially, your printer is a robust piece of equipment, but should be treated with a modicum of care in order to avoid malfunctions. For example:

1. Keep your printer in a "comfortable" environment. Roughly speaking, if you feel comfortable, then the environment is suitable for your printer.
2. Do not subject the printer to physical shocks or excessive vibration.
3. Avoid over-dusty environments. Dust is the enemy of all precision mechanical devices.
4. To clean the exterior of the printer, use a cloth barely dampened with either water with a little detergent or a little alcohol, but do not allow any liquid to fall inside the printer.
5. The interior of the printer may be cleaned with a small cleaner or a compressed-air aerosol (sold for this purpose). When performing this operation, be sure not to bend or damage any cable connections or electronic components.

3. Parts Identification and Nomenclature

SP210 type

Cover

Protects the printer from dust and reduces noise. Do not open the cover while printing.

Control panel

Features two control switches and two indicators to indicate printer status.

AC power cord

Plugs into an outlet of the specified voltage. Shape of AC power plug will vary according to destinations.

Interface connector

Connects the printer with host computer.

Peripheral unit drive circuit connector

Connects to peripheral units such as cash drawers, etc. Do not connect this to a telephone.

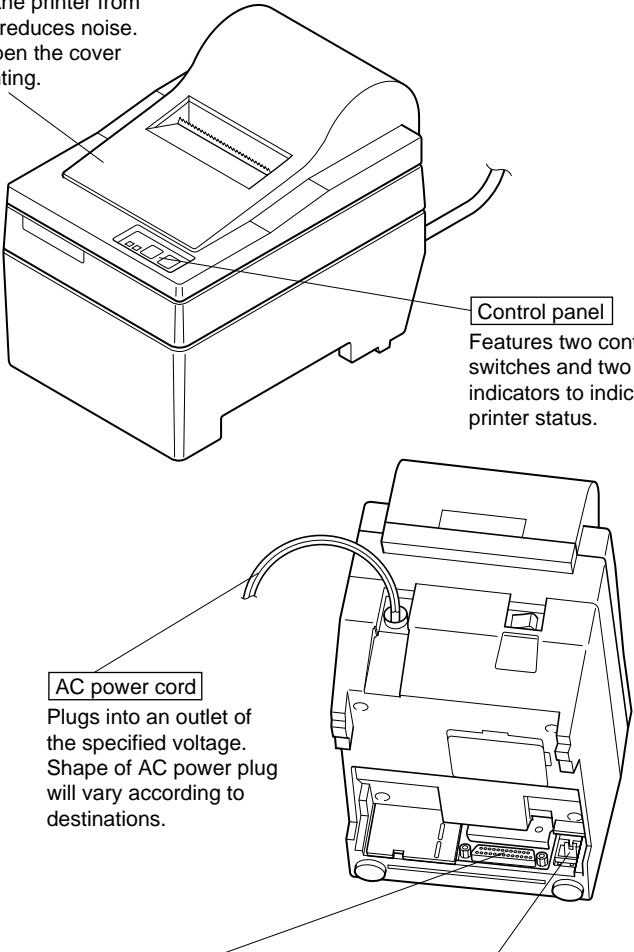


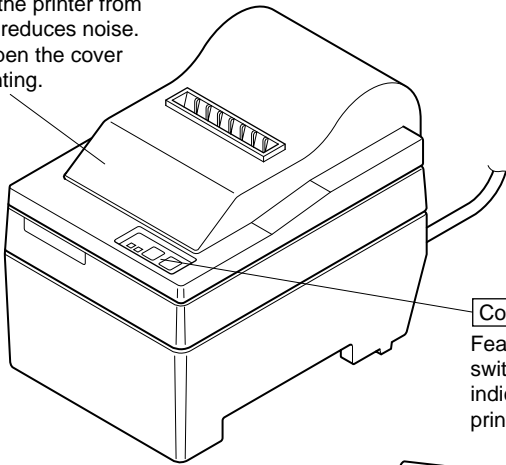
Fig. 3-1 External view of the printer (SP210 type)

SP240 type

ENGLISH

Cover

Protects the printer from dust and reduces noise. Do not open the cover while printing.

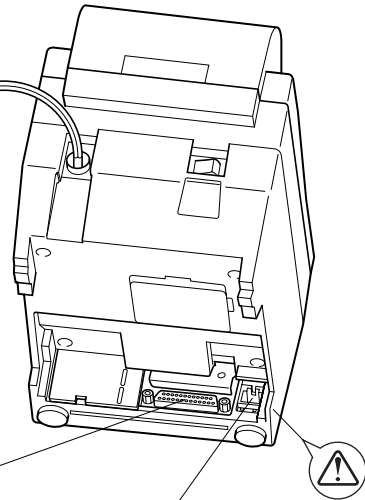


Control panel

Features two control switches and two indicators to indicate printer status.

AC power cord

Plugs into an outlet of the specified voltage. Shape of AC power plug will vary according to destinations.



Interface connector

Connects the printer with host computer.

Peripheral unit drive circuit connector

Connects to peripheral units such as cash drawers, etc. Do not connect this to a telephone.

Fig. 3-2 External view of the printer (SP240 type)

4. Loading the Ribbon Cartridge and Paper

4-1. SP210 type

4-1-1. Loading the Ribbon Cartridge

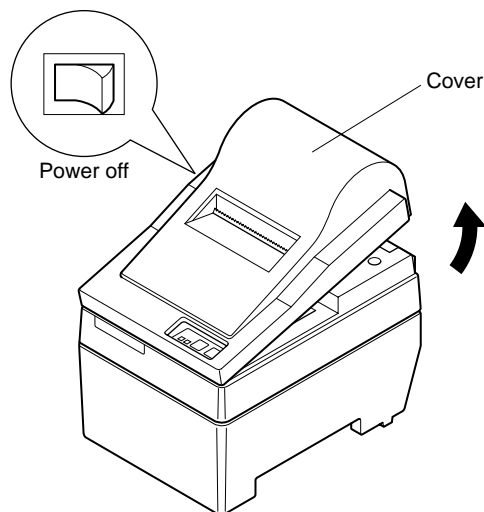


Fig. 4-1 Removing the cover

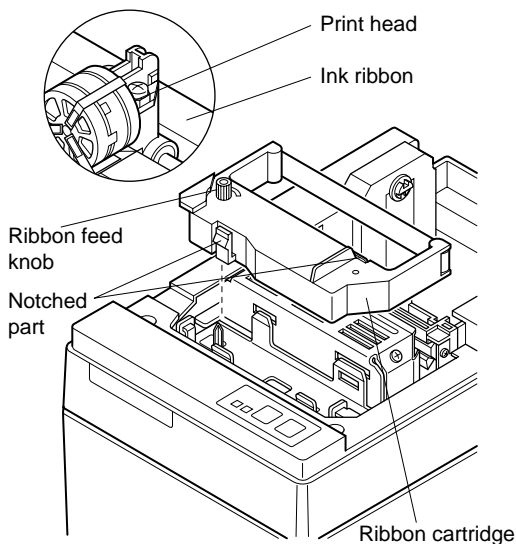


Fig. 4-2 Loading the ribbon cartridge

- ① Turn off power to the printer.
- ② Lift the cover up approx. 3 cm. Hold the cover tilted at this angle, then pull it toward you to remove it.
- ③ Place the ribbon cartridge in the direction shown in Fig. 4-2 and press it down to load it. If loading of the ribbon cartridge is not satisfactory, press down the cartridge while rotating the ribbon feed knob in the direction of the arrow.
- ④ Turn the ribbon feed knob of the ribbon cartridge in the direction of the arrow to remove slack in the ribbon.
- ⑤ Mount the cover by reversing the procedure outlined in step ② above.

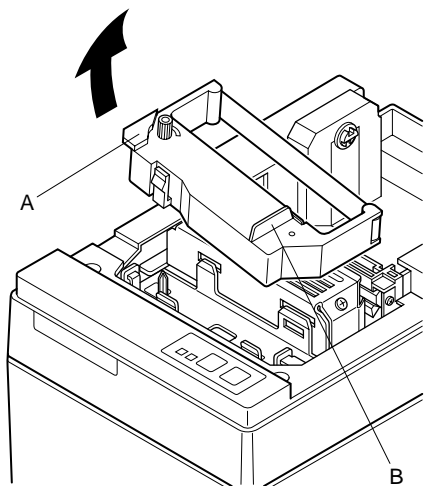


Fig. 4-3

Note: When removing the ribbon cartridge, raise the A section and then remove it by holding the B section as shown in Fig. 4-3.

4-1-2. Loading the Paper

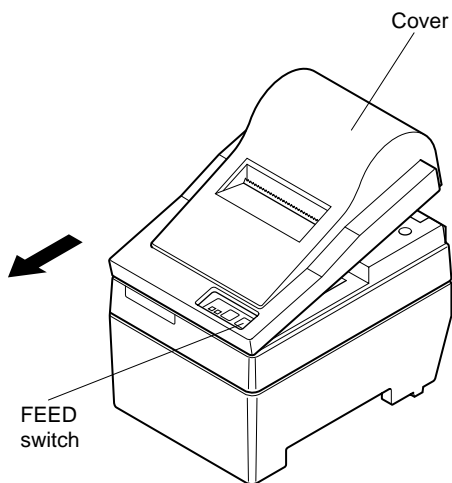


Fig. 4-4 Removing the cover

- ① Lift the cover up approx. 3cm. Hold the cover tilted at this angle, then pull it toward you to remove it.

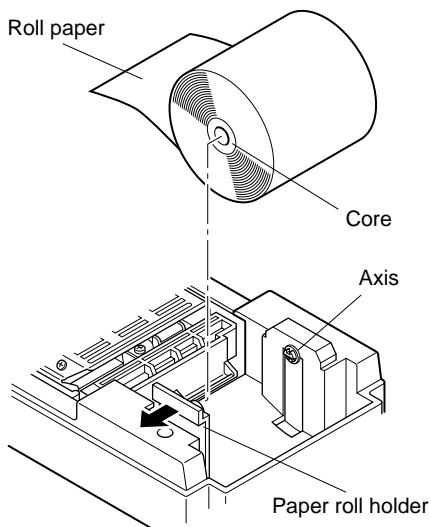


Fig. 4-5 Loading the paper

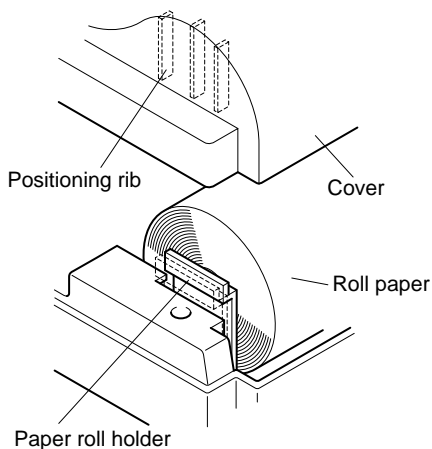


Fig. 4-6

- ② Cut off the front edge of the roll paper perpendicularly.
 - ③ Confirm that the power of the printer is turned on.
 - ④ While observing the direction of the roll paper, insert the top end of the paper beneath the paper guide as far as it will go. If the roll paper is installed, the top end of the paper automatically comes out from the paper exit.
 - ⑤ Move the paper roll holder in the direction of the arrow, and insert the roll so that the holes in the core align with the axes of the paper roll holder. Release the paper roll holder to secure the paper.
 - ⑥ If the paper roll core has not been properly aligned with the paper roll holder, the cover cannot properly be seated until the paper position is corrected.
 - ⑦ Press the FEED (paper feed) switch to feed the paper approximately 10cm.
 - ⑧ Insert the top edge of the paper into the tear bar slot, then mount the cover by reversing the procedure for removing the cover in step ① above.
- Note:** When the paper end mark appears on the paper, replace the roll paper before it runs out.

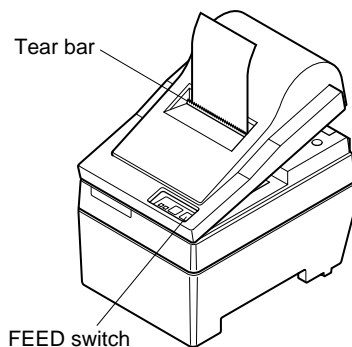


Fig. 4-7

4-2. SP240 type

4-2-1. Loading the Ribbon Cartridge

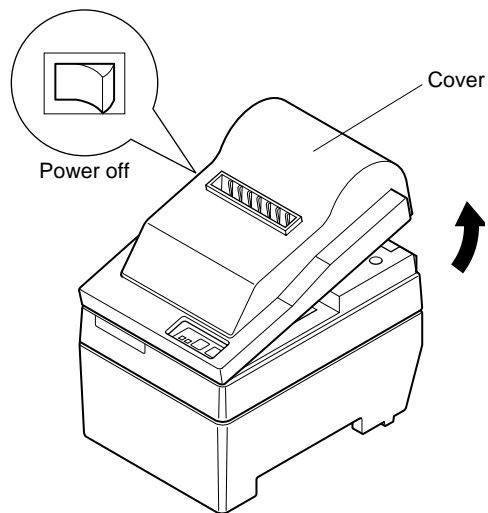


Fig. 4-8 Removing the cover

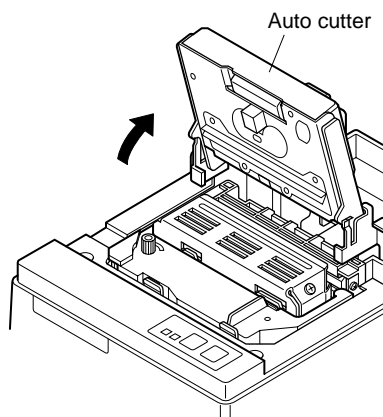


Fig. 4-9 Raise the auto cutter

- ① Turn off power to the printer.
- ② Lift the cover up approx. 3 cm. Hold the cover tilted at this angle, then pull it toward you to remove it.

- ③ Lift up the auto cutter and put it in a vertical position, as shown in Fig. 4-9.

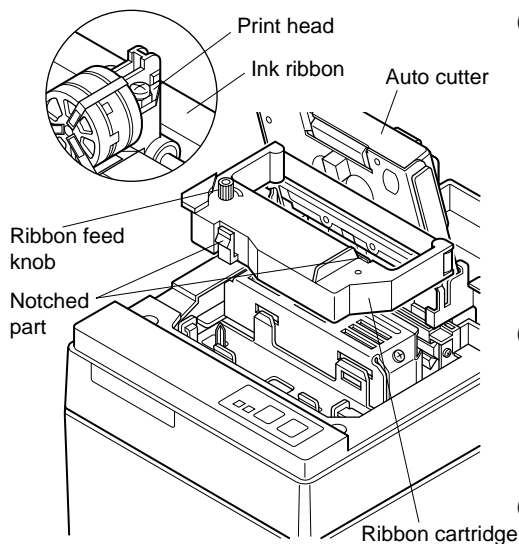


Fig. 4-10 Loading the ribbon cartridge

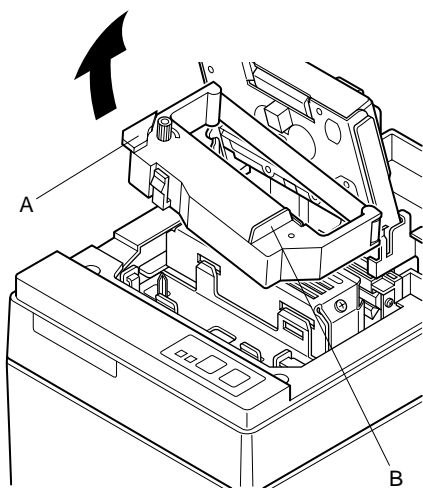
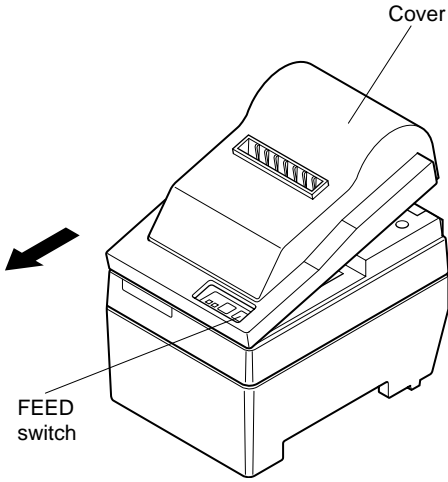


Fig. 4-11

- ④ Place the ribbon cartridge in the direction shown in Fig. 4-10 and press it down to load it. If loading of the ribbon cartridge is not satisfactory, press down the cartridge while rotating the ribbon feed knob in the direction of the arrow.
- ⑤ Turn the ribbon feed knob of the ribbon cartridge in the direction of the arrow to remove slack in the ribbon.
- ⑥ Close the Auto Cutter.
- ⑦ Mount the cover by reversing the procedure outlined in step ② above.

Note: When removing the ribbon cartridge, raise the A section and then remove it by holding the B section as shown in Fig. 4-11.

4-2-2. Loading the Paper



- ① Lift the cover up approx. 3cm. Hold the cover tilted at this angle, then pull it toward you to remove it.

Fig. 4-12 Removing the cover

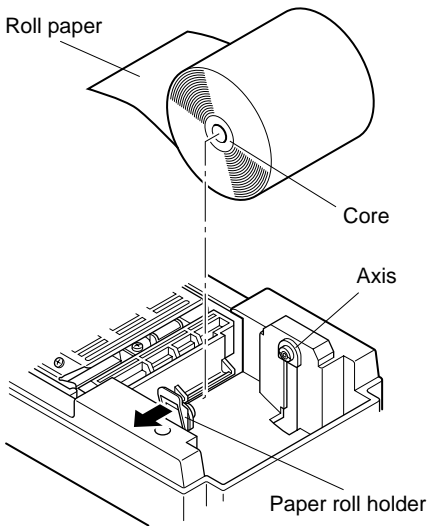


Fig. 4-13 Loading the paper

- ② Cut off the front edge of the roll paper perpendicularly.
- ③ Confirm that the power of the printer is turned on.
- ④ While observing the direction of the roll paper, insert the top end of the paper beneath the paper guide as far as it will go. If the roll paper is installed, the top end of the paper automatically comes out from the paper exit. After 2cm of paper are fed out, the paper is automatically cut off.
- ⑤ Move the paper roll holder in the direction of the arrow, and insert the roll so that the holes in the core align with the axes of the paper roll holder. Release the paper roll holder to secure the paper.
- ⑥ If the paper roll core has not been properly aligned with the paper roll holder, the cover cannot be properly seated until the paper position is corrected.

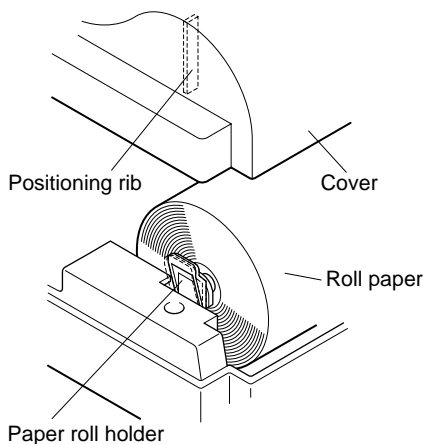


Fig. 4-14

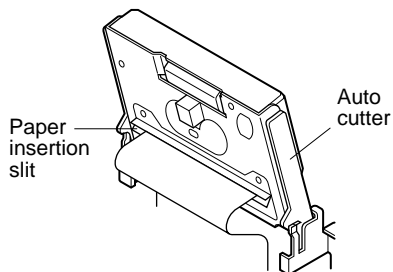
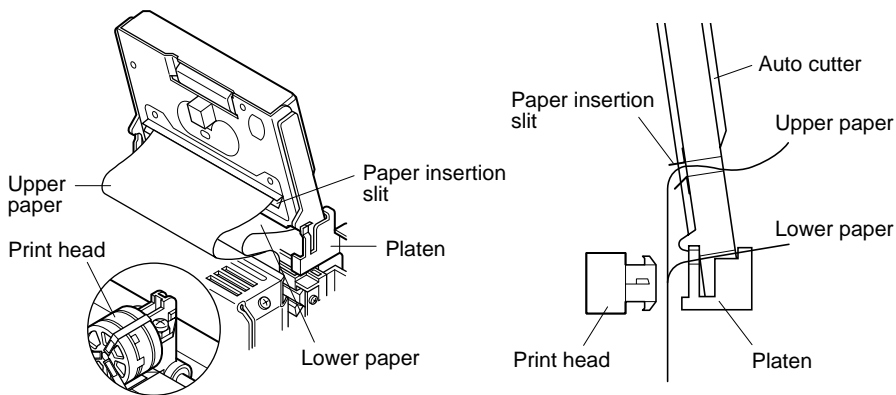


Fig. 4-15 Insertion of the paper into the auto cutter

⑦ Press the FEED (paper feed) switch to feed the paper approximately 10cm.

- ⑧ Insert the tip of the roll paper in the auto cutter paper slit.
- When using copying paper, insert only the original (the upper paper) into the slit of the auto cutter. Insert the paper which is to be copied (the lower paper) between the platen and the auto cutter.



**Fig. 4-16 Insertion of the paper into the auto cutter
(When using copying paper)**

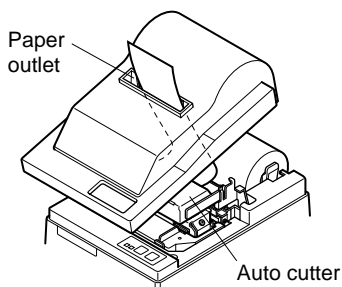


Fig. 4-17 Paper outlet of the front cover

- ⑨ Pull on the edge of the paper to remove any slack and then lower the auto cutter.
- ⑩ Insert the paper through the paper outlet and then replace the cover by reversing the removal steps.

Note: When the paper end mark appears on the paper, replace the roll paper before it runs out.

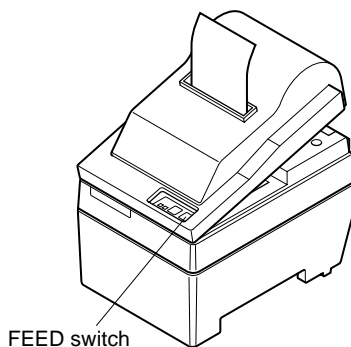


Fig. 4-18

4-3. Removing the Paper

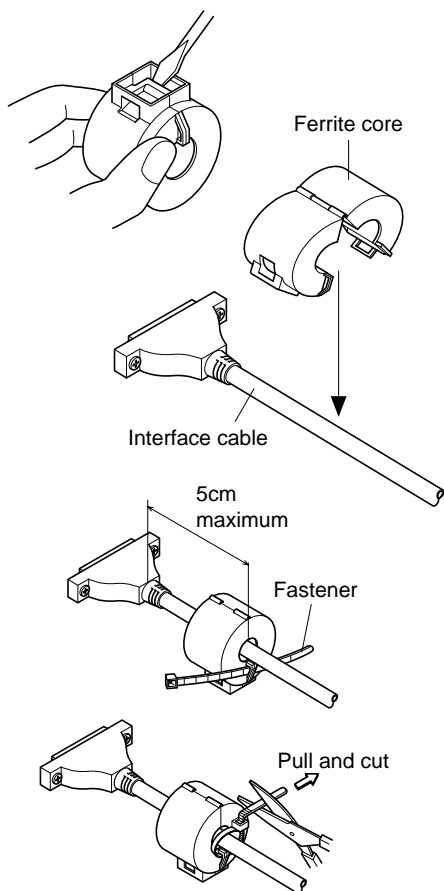
Remove the cover, then cut off the paper near the rear of the paper guide and press the FEED switch to feed out the paper remaining in the unit.

When the paper runs out, the POWER lamp will blink.

- Note**
1. Remove the paper remaining in the printer by pressing the FEED switch.
 2. When the paper end mark appears on the paper, replace the roll paper before it runs out.
 3. When removing the core of the roll paper, open the roll paper holder.

4-4. Connecting the Interface Cable

4-4-1. Ferrite core installation (EU only)



- ① Affix the ferrite core onto the serial/parallel interface cable as shown in the illustration.

If a ferrite core is not open, use a screw driver to pry it apart, taking care not to damage the core or lock.

- ② Pass fastener through ferrite core.
- ③ Pass fastener around cable and lock it.

Cut off excess with scissors.

Attach the ferrite core only to the cables of printers sold in the EU.

Fig. 4-19

4-4-2. Serial Interface Cable

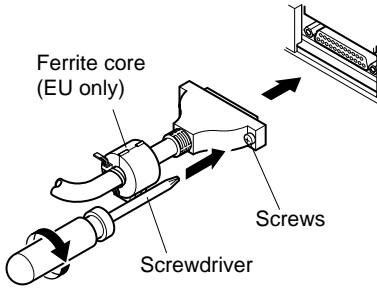


Fig. 4-20 Connecting the interface cable

- ① Turn off power to both the host computer and the printer.
- ② Insert the connector at one end of the interface cable into the connector on the printer and the other connector into the connector for the host computer.
- ③ Next, fasten the right and left screws for the respective interface connectors to fix them in place on the connectors.

4-4-3. Parallel Interface Cable

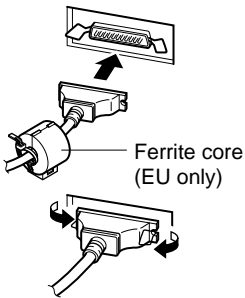


Fig. 4-21 Connecting the parallel interface cable

- ① Turn off power to both the host computer and the printer.
- ② Insert one terminal of the interface cable into the printer's connector, as shown in the diagram, and fasten it there with the clasp.
- ③ Insert the other terminal of interface cable into the host computer's connector, and again fasten it with the clasp.

5. Control Panel

5-1. Basic Operation

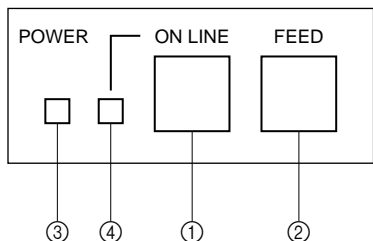


Fig. 5-1 Control panel

- ① ON LINE switch
- Switches the printer between ON LINE and OFF LINE. ON LINE and OFF LINE switching is possible only when paper is loaded in the printer.
- ② FEED switch
- When this switch is pressed and then released within 0.5 sec., the paper feeds on line.
 - When this switch is held depressed for more than 0.5 sec., the paper feeds continuously.
(The above paper feed operation is possible for both ON LINE and OFF LINE modes.)

- ③ POWER lamp (green LED)
- Lights when the power to the printer is on.
 - Flashes when paper is out, mechanical error occurs, when there is an alarm due to head temperature detection, or when a CPU error has occurred.
 - If the paper is out, load new paper and press the ON LINE switch.
 - When the POWER lamp flashes due to occurrence of a mechanical error, turn off the power and remove the cause of a mechanical error and then turn on the power again to reset the printer.
 - If the POWER lamp flashes due to the alarm of the head temperature detection, the printer will be set automatically when the head temperature becomes low.
- ④ ON LINE lamp (green LED)
- LED lit: Printer is ON LINE
LED off: Printer is OFF LINE
LED flashes: CPU error

When the POWER lamp and ON LINE lamp light simultaneously, a CPU error has occurred.

② <Hexadecimal dump mode>

ON LINE + **POWER ON** (Turn the power on while holding the **ON LINE** switch depressed.)

Each of the signals sent from the computer to the printer will be printed out in hexadecimal code.

This function allows you to check if a control code sent to the printer by the program being used is correct or not. The last line is not printed if its data is less than one full line. However, if the ON LINE switch is pressed to set the off line mode, the last line will be printed. To turn off the mode, it is necessary to turn off the printer completely.

```

00 01 02 03 04 05 06 07      .....
08 09 0A 0B 0C 0D 0E 0F      .....
10 11 12 13 14 15 16 17      .....
18 19 1A 1B 1C 1D 1E 1F      .....
20 21 22 23 24 25 26 27      !"#$%&'
28 29 2A 2B 2C 0A            ()*+.,

```

Fig. 5-3 Hexadecimal dump printing sample

6. Control Codes

STAR mode

6-1. Control Codes Used in Character Setting

Control codes	Hexadecimal codes	Function
<ESC> “R” n	1B 52 n	Select international character set. Default is according to the dip switch settings 3, 4 and 5.
<ESC> “M”	1B 4D	Select 7 × 7 (Half dots) character size (Default setting)
<ESC> “P”	1B 50	Select 9 × 7 (Half dots) character size
<SO>	0E	Select expanded character mode
<SI>	0F	Cancel expanded character mode (Default setting)
<DC4>	14	Cancel expanded character mode (Default setting)
<ESC> “W” “1”	1B 57 31	Select expanded character mode
<ESC> “W” <1>	1B 57 01	
<ESC> “W” “0”	1B 57 30	Cancel expanded character mode (Default setting)
<ESC> “W” <0>	1B 57 00	

6-2. Control Codes Used in Print Mode Setting

Control codes	Hexadecimal codes	Function
<ESC> “4”	1B 34	Red color print selection (enable for SP216)
<ESC> “5”	1B 35	Red color print deselection (enable for SP216) (Default setting)
<ESC> “E”	1B 45	Emphasized print mode selection
<ESC> “F”	1B 46	Emphasized print mode deselection (Default setting)

6-3. Control Codes Used in Line Spacing

Control codes	Hexadecimal codes	Function
<LF>	0A	Line feed
<CR>	0D	Line feed (same as LF)
<ESC> “a” n	1B 61 n	Feed paper n lines

6-4. Control Codes Used for Peripheral Units

Control codes	Hexadecimal codes	Function
<ESC> <BEL> n1 n2	1B 07 n1 n2	Adjust drive pulse width for peripheral unit (Default setting)
<BEL>	07	Deferred drive command “A” for peripheral unit 1
<FS>	1C	Immediate drive command “B” for peripheral unit 1

6-5. Auto Cutter Control (SP240 type only)

Control codes	Hexadecimal codes	Function
<ESC> “d” “0” <ESC> “d” <0>	1B 64 30 1B 64 00	Full-cut command to the auto cutter
<ESC> “d” “1” <ESC> “d” <1>	1B 64 31 1B 64 01	Partial-cut command to the auto cutter

6-6. Other Control Codes

Control codes	Hexadecimal codes	Function
<CAN>	18	Cancel print data in buffer
<ESC> “@”	1B 40	Initialize printer
<ESC> “e” “0” <ESC> “e” <0>	1B 65 30 1B 65 00	ON LINE/FEED switch valid (Default setting)
<ESC> “e” “1” <ESC> “e” <1>	1B 65 31 1B 65 01	ON LINE/FEED switch invalid
<ESC> “f” “0” <ESC> “f” <0>	1B 66 30 1B 66 00	ON LINE switch valid (Default setting)
<ESC> “f” “1” <ESC> “f” <1>	1B 66 31 1B 66 01	ON LINE switch invalid

TABLE DES MATIERES

1. Introduction	23
2. Déballage et Inspection	24
2-1. Déballage	24
2-2. Emplacement de l'imprimante	25
2-3. Précautions de manipulation	25
2-4. Entretien	25
3. Identification des Pièces et Nomenclature	26
4. Installation d'une cartouche à ruban et chargement du papier	28
4-1. Modèle SP210	28
4-2. Modèle SP240	31
4-3. Enlèvement d'un rouleau de papier	36
4-4. Connexion du câble d'interface	36
5. Panneau de Commande	38
5-1. Fonctionnement de base	38
5-2. Utilisation des touches (Utilisation combinée des touches)	39
6. Codes de contrôle	41
Mode STAR	41
6-1. Commandes utilisées pour le réglage des caractères	41
6-2. Commandes utilisées pour le réglage du mode d'impression	41
6-3. Commandes utilisées pour l'espacement des lignes	41
6-4. Commandes utilisées pour le pilotage des appareils périphériques	42
6-5. Commandes de pilotage de l'unité de découpage automatique (Modèle SP240 seulement)	42
6-6. Autres commandes	42
APPENDICE	87

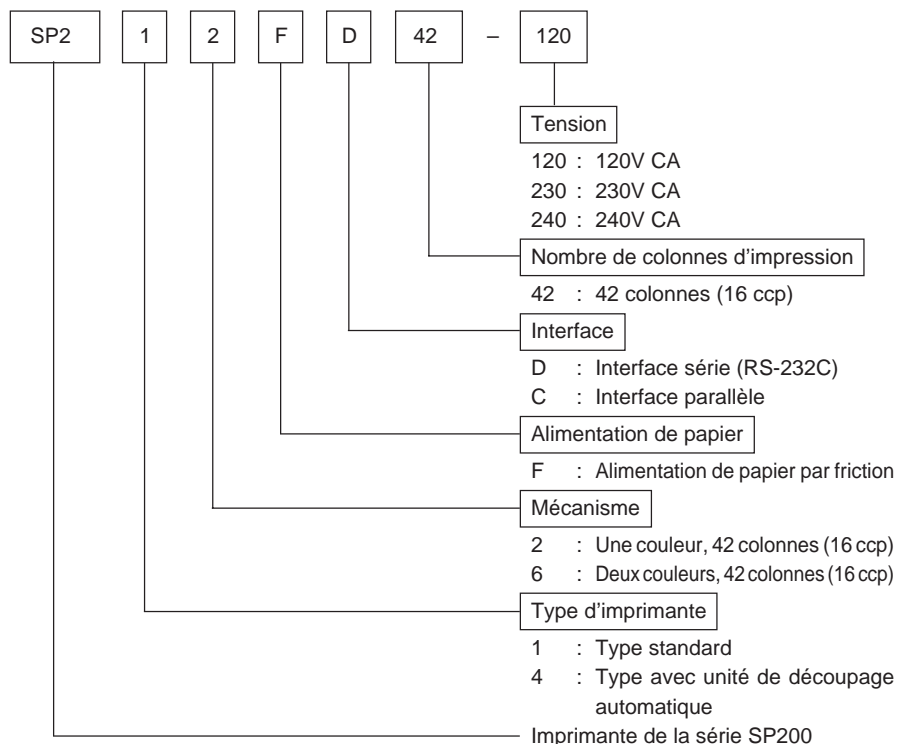
L'appendice n'est pas traduit.

1. Introduction

L'imprimante série à impact et matrice de points est conçue pour une utilisation avec des instruments électroniques tels que des terminaux points de vente, du matériel bancaire, du matériel périphérique pour ordinateurs, etc.

Les caractéristiques principales des modèles de la série SP200 sont les suivantes:

1. Impression bi-directionnelle à 2,5 lignes/sec. environ.
2. Interface série ou parallèle.
3. Tampon de données permettant à l'appareil de recevoir des données d'impression même pendant le travail d'impression.
4. Circuit de contrôle d'appareils périphériques permettant la commande de dispositifs extérieurs tels que des tiroirs-caisses.

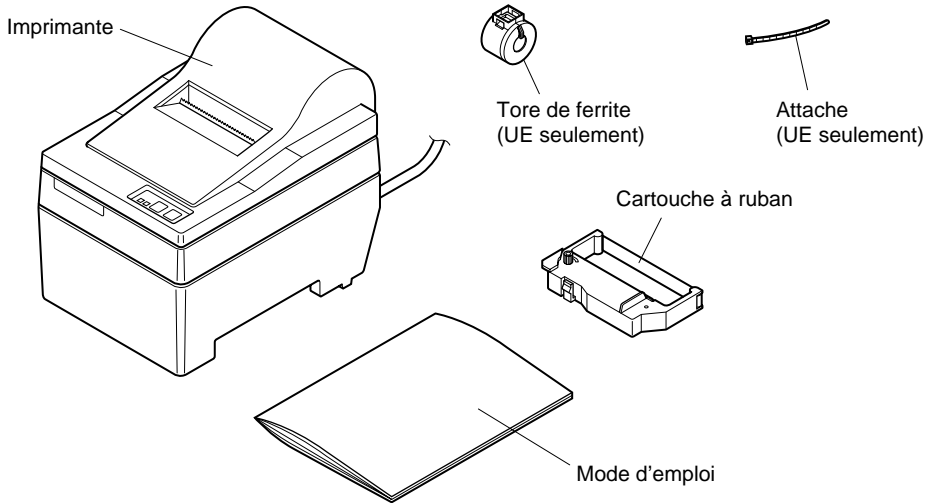


2. Déballage et Inspection

2-1. Déballage

Après avoir déballé l'appareil, vérifiez si tous les accessoires nécessaires se trouvent dans la boîte.

Modèle SP210



Modèle SP240

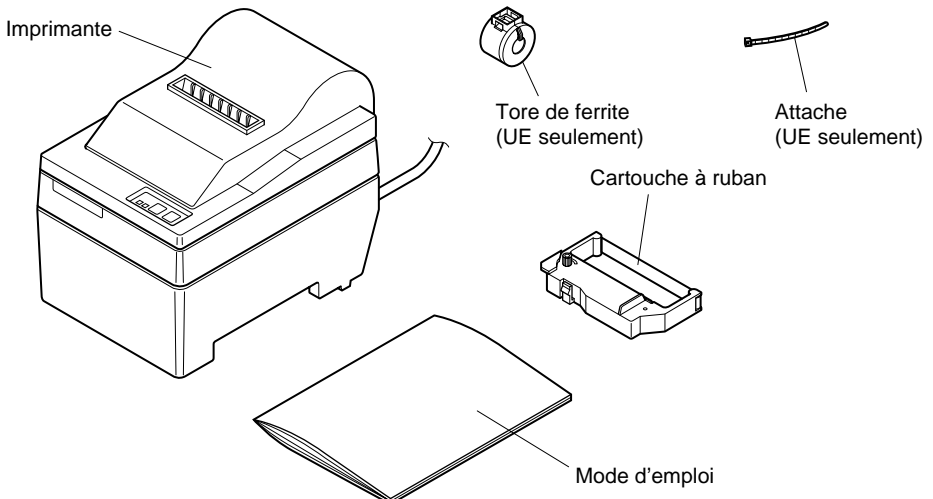


Fig. 2-1 Déballage

2-2. Emplacement de l'imprimante

Pour installer correctement l'imprimante, gardez à l'esprit les conseils suivants:

1. Mettez l'imprimante à l'abri de températures excessivement élevées comme en plein soleil ou à proximité d'un appareil de chauffage, et à l'abri de l'humidité et de la poussière.
2. Installez l'imprimante sur une surface stable et de niveau sur laquelle l'imprimante ne sera pas soumise à des vibrations.
3. Veillez à ce que l'imprimante soit branchée sur une source secteur stable. Par exemple, ne pas brancher l'imprimante sur la prise secteur d'un circuit alimentant déjà un appareil électroménager gros consommateur de courant et producteur de parasites, tel qu'un réfrigérateur ou un climatiseur.
4. Veillez à ce que la tension du secteur corresponde bien à la tension spécifiée sur la plaque d'identification de l'imprimante.
5. Pour débrancher l'imprimante, la fiche doit être débranchée de la prise murale, et celle-ci doit être située à proximité de l'imprimante et facile d'accès.

2-3. Précautions de manipulation

1. Faites attention à ne pas laisser tomber de trombones, punaises ou autres objets dans l'imprimante. Un dysfonctionnement pourrait en résulter.
2. Ne pas essayer d'imprimer quand il n'y a pas de papier ou de cartouche à ruban dans l'imprimante. La tête d'impression pourrait être endommagée.
3. Ne pas ouvrir le capot pendant l'impression.
4. Ne pas toucher la tête d'impression immédiatement après un travail d'impression car elle devient très chaude.
5. Utilisez seulement un rouleau de papier dont l'extrémité n'est pas collée au tube central.
6. Quand le repère de fin de papier apparaît sur le papier, remplacez le rouleau de papier avant qu'il soit terminé.

2-4. Entretien

Avant tout, cette imprimante est un appareil robuste, mais un minimum de précautions sont à prendre pour éviter les dysfonctionnements. Par exemple:

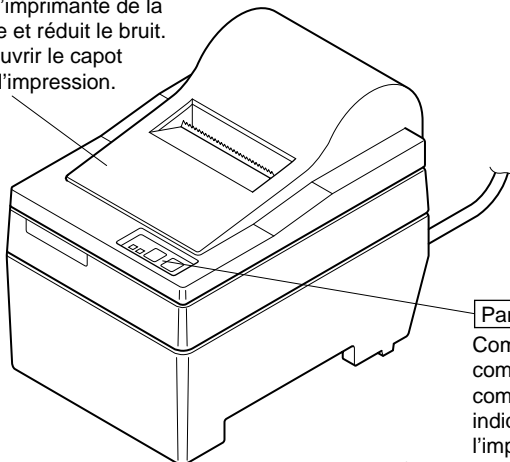
1. Laissez l'imprimante dans un environnement "confortable". En gros, si vous êtes à l'aise, l'environnement sera acceptable pour l'imprimante.
2. Ne pas soumettre l'imprimante à des chocs ou à des vibrations excessives.
3. Évitez les environnements excessivement poussiéreux. La poussière est l'ennemi de tous les appareils mécaniques de précision.
4. Pour nettoyer l'extérieur de l'imprimante, utilisez un chiffon légèrement imbibé d'eau ou d'alcool, mais ne laissez aucun liquide pénétrer à l'intérieur de l'imprimante.
5. L'intérieur de l'imprimante peut être nettoyé avec une petite brosse de nettoyage ou un aérosol à air comprimé (vendu à cet effet). Pendant cette opération, veillez à ne pas plier ni endommager les connexions ou les composants électroniques.

3. Identification des Pièces et Nomenclature

Modèle SP210

Capot

Protège l'imprimante de la poussière et réduit le bruit. Ne pas ouvrir le capot pendant l'impression.

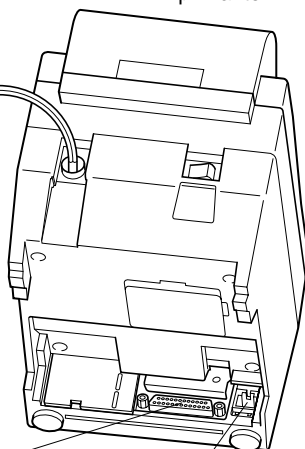


Panneau de commande

Comprend deux commutateurs de commande et trois témoins indiquant le statut de l'imprimante.

Cordon d'alimentation secteur

A brancher sur la sortie correspondant à la tension spécifiée. La présentation de la fiche du cordon d'alimentation secteur varie selon les pays.



Connecteur d'interface

Ce connecteur vous permet de raccorder l'imprimante à l'ordinateur hôte.

Connecteur de pilotage d'appareils périphériques

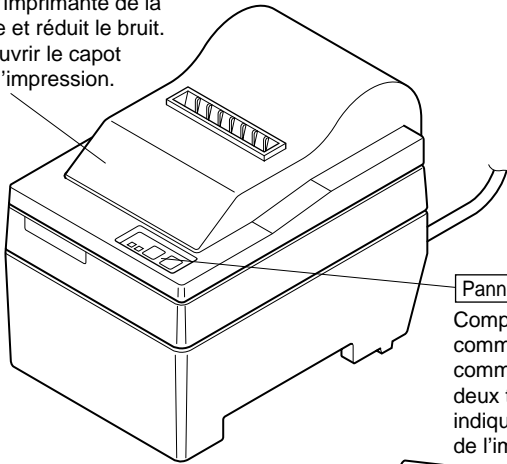
Ce connecteur vous permet de raccorder l'imprimante à des appareils périphériques tels que des tiroirs-caisses, etc. Ne pas raccorder à un téléphone.

Fig. 3-1 Vue externe de l'imprimante (Modèle SP210)

Modèle SP240

Capot

Protège l'imprimante de la poussière et réduit le bruit.
Ne pas ouvrir le capot pendant l'impression.

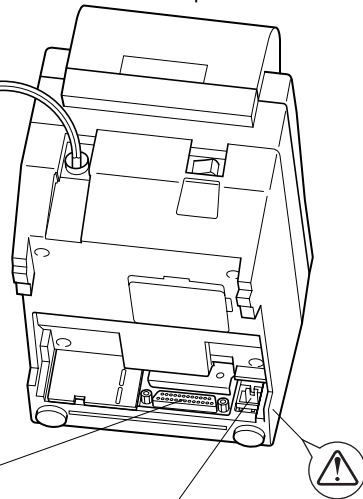


Panneau de commande

Comprend deux commutateurs de commande et deux témoins indiquant le statut de l'imprimante.

Cordon d'alimentation secteur

A brancher sur la sortie correspondant à la tension spécifiée. La présentation de la fiche du cordon d'alimentation secteur varie selon les pays.



Connecteur d'interface

Ce connecteur vous permet de raccorder l'imprimante à l'ordinateur hôte.

Connecteur de pilotage d'appareils périphériques

Ce connecteur vous permet de raccorder l'imprimante à des appareils périphériques tels que des tiroirs-caisses, etc.
Ne pas raccorder à un téléphone.

Fig. 3-2 Vue externe de l'imprimante (Modèle SP240)

4. Installation d'une cartouche à ruban et chargement du papier

4-1. Modèle SP210

4-1-1. Installation d'une cartouche à ruban

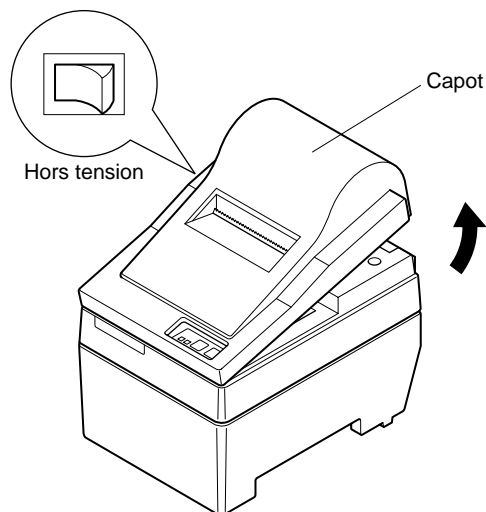


Fig. 4-1. Dépose du capot

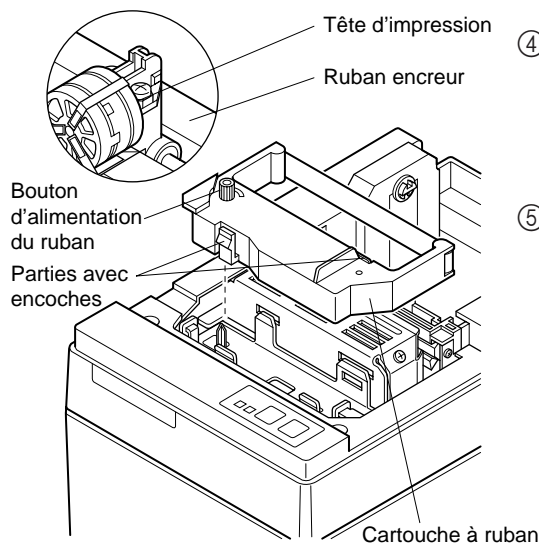


Fig. 4-2 Mise en place de la cartouche à ruban

- ① Mettez l'imprimante hors tension.
- ② Soulevez le capot d'environ 3 cm. Tout en tenant le couvercle incliné à cet angle, tirez-le vers vous pour l'enlever.
- ③ Mettez la cartouche à ruban en place dans le sens indiqué dans la figure 4-2 et appuyez légèrement sur la cartouche afin qu'elle se mette en place. Si la mise en place de la cartouche n'est pas satisfaisante, appuyez sur la cartouche tout en faisant tourner le bouton d'alimentation du ruban de la cartouche dans le sens de la flèche.
- ④ Pour tendre le ruban, faites tourner le bouton d'alimentation du ruban de la cartouche dans le sens de la flèche.
- ⑤ Pour remettre en place le capot, suivant la procédure décrite à l'étape ② dans le sens inverse.

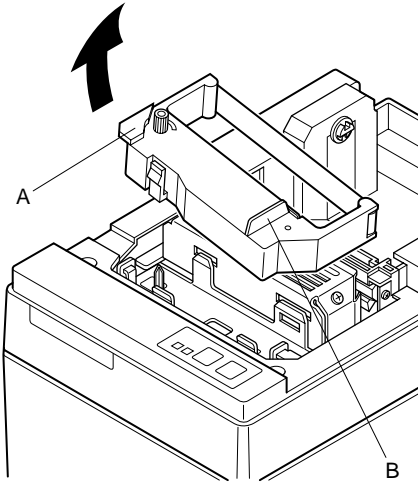


Fig. 4-3

Remarque: Pour enlever la cartouche à ruban, soulevez la partie A, puis enlevez la cartouche en la tenant par la partie B comme indiqué dans la figure 4-3.

4-1-2. Chargement du papier

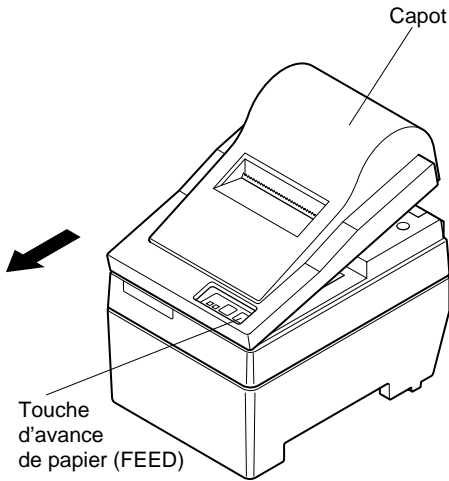


Fig. 4-4 Dépose du capot

- ① Soulevez le capot d'environ 3 cm. Tout en tenant le couvercle incliné à cet angle, tirez-le vers vous pour l'enlever.

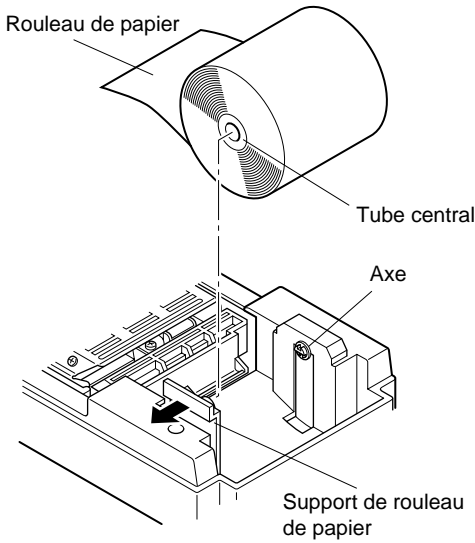


Fig. 4-5 Chargement du papier

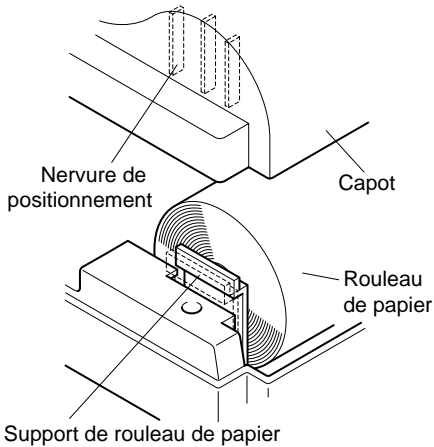


Fig. 4-6

- ② Coupez l'extrémité du papier perpendiculairement.
- ③ Vérifiez si l'imprimante est bien sous tension.
- ④ Insérez l'extrémité du papier sous le guide de papier aussi loin que possible en faisant attention au sens du rouleau. Lorsque le rouleau est en place, le papier ressort automatiquement par la fente de sortie de l'imprimante.
- ⑤ Déplacez le support de rouleau de papier dans le sens de la flèche, et insérez le rouleau de telle façon que les orifices du tube s'alignent sur les axes du support de rouleau de papier. Relâchez le support de rouleau de papier pour maintenir en place le papier.
- ⑥ Si le tube du rouleau de papier n'a pas été aligné correctement sur le support de rouleau de papier, le capot ne pourra pas être bien refermé. Pour pouvoir refermer le capot, vous devrez corriger la position du papier.
- ⑦ Appuyez sur la touche d'avance FEED pour faire avancer le papier de 10 cm environ.
- ⑧ Insérez l'extrémité du papier dans la fente de sortie où se trouve la barre de découpage, puis remettez le capot en place en suivant la procédure de dépose du capot décrite à l'étape ① ci-dessus dans le sens inverse.

Remarque: Quand le repère de fin de papier apparaît sur le papier, remplacez le rouleau de papier avant qu'il soit terminé.

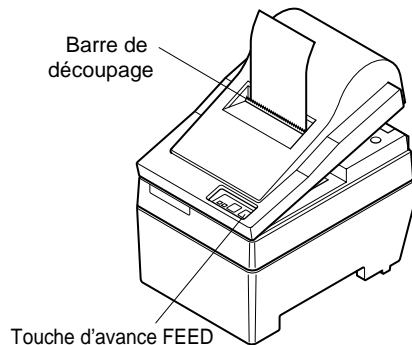


Fig. 4-7

4-2. Modèle SP240

4-2-1. Installation d'une cartouche à ruban

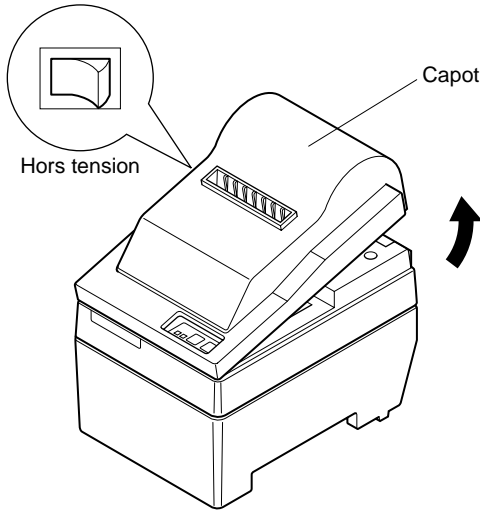


Fig. 4-8 Dépose du capot

- ① Mettez l'imprimante hors tension.
- ② Soulevez le capot d'environ 3 cm. Tout en tenant le couvercle incliné à cet angle, tirez-le vers vous pour l'enlever.

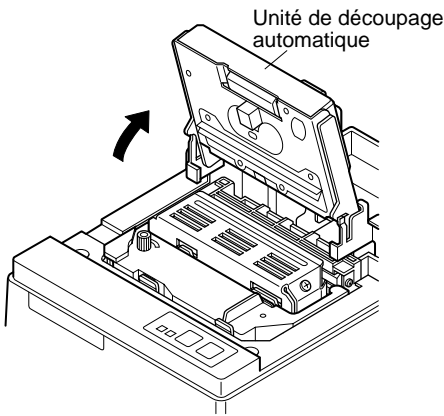


Fig. 4-9 Redressement de l'unité de découpage automatique

- ③ Soulevez l'unité de découpage automatique pour la mettre en position verticale, comme indiqué dans la figure 4-9.

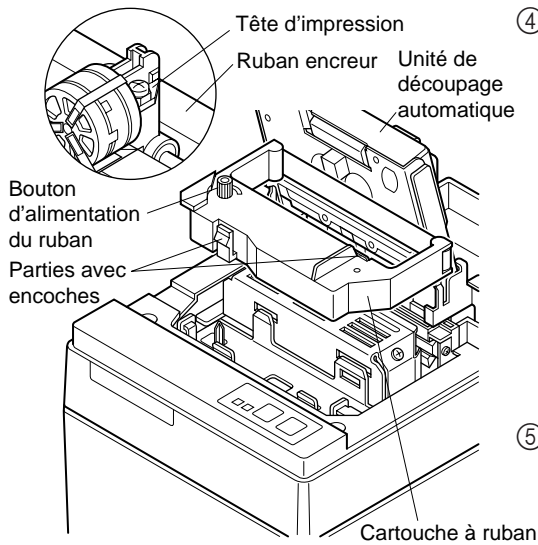


Fig. 4-10 Mise en place de la cartouche à ruban

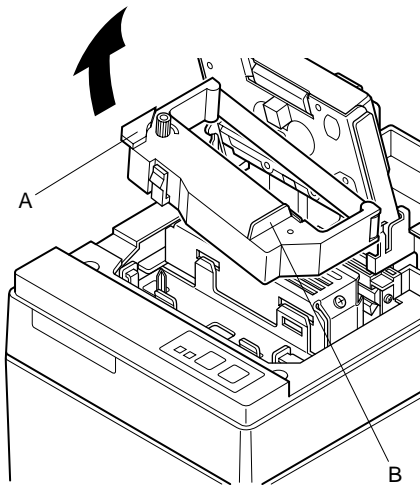


Fig. 4-11

- ④ Mettez la cartouche à ruban en place dans le sens indiqué dans la figure 4-10 et appuyez légèrement sur la cartouche afin qu'elle se mette en place. Si la mise en place de la cartouche n'est pas satisfaisante, appuyez sur la cartouche tout en faisant tourner le bouton d'alimentation du ruban de la cartouche dans le sens de la flèche.
- ⑤ Pour tendre le ruban, faites tourner le bouton d'alimentation du ruban de la cartouche dans le sens de la flèche.
- ⑥ Refermez l'unité de découpage automatique.
- ⑦ Pour remettre en place le capot, suivez la procédure décrite à l'étape ② dans le sens inverse.

Remarque: Pour enlever la cartouche à ruban, soulevez la partie A, puis enlevez la cartouche en la tenant par la partie B comme indiqué dans la figure 4-11.

4-2-2. Chargement du papier

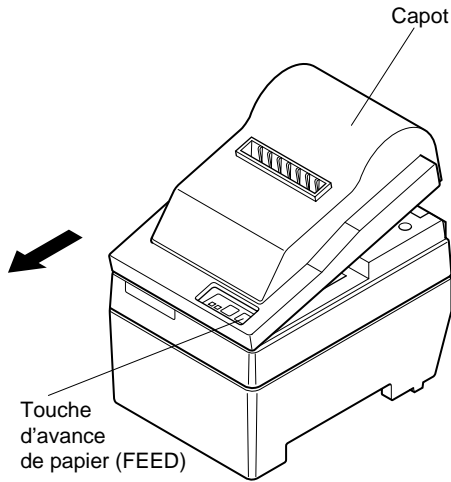


Fig. 4-12 Dépose du capot

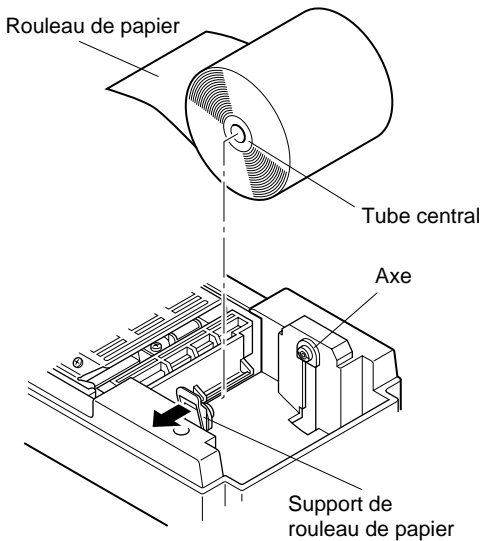


Fig. 4-13 Chargement du papier

① Soulevez le capot d'environ 3 cm. Tout en tenant le couvercle incliné à cet angle, tirez-le vers vous pour l'enlever.

② Coupez l'extrémité du papier perpendiculairement.

③ Vérifiez si l'imprimante est bien sous tension.

④ Insérez l'extrémité du papier sous le guide de papier aussi loin que possible en faisant attention au sens du rouleau. Lorsque le rouleau est en place, le papier ressort automatiquement par la fente de sortie de l'imprimante. Après la sortie de 2 cm de papier, le papier est automatiquement coupé.

⑤ Déplacez le support de rouleau de papier dans le sens de la flèche, et insérez le rouleau de telle façon que les orifices du tube s'alignent sur les axes du support de rouleau de papier. Relâchez le support de rouleau de papier pour maintenir en place le papier.

⑥ Si le tube du rouleau de papier n'a pas été aligné correctement sur le support de rouleau de papier, le capot ne pourra pas être bien refermé. Pour pouvoir refermer le capot, vous devrez corriger la position du papier.

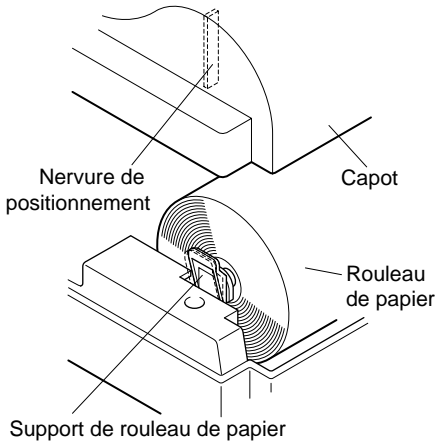


Fig. 4-14

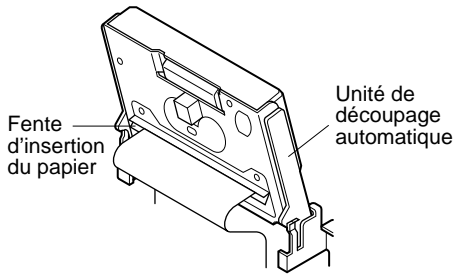
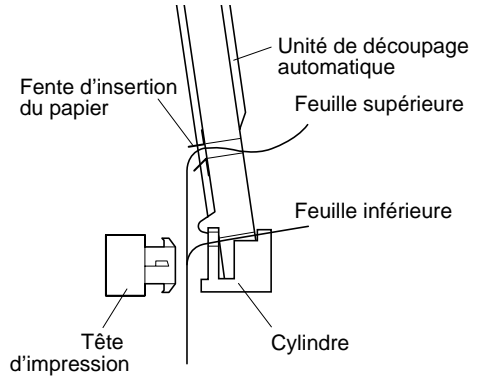
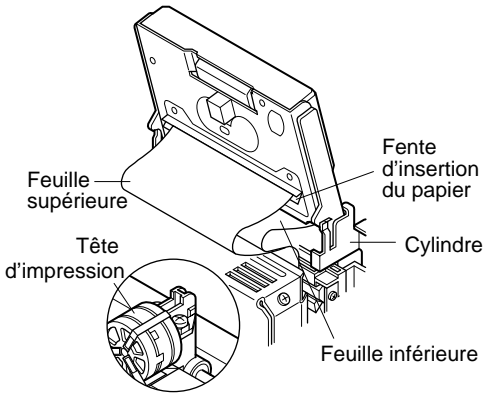


Fig. 4-15 Insertion du papier dans l'unité de découpage automatique

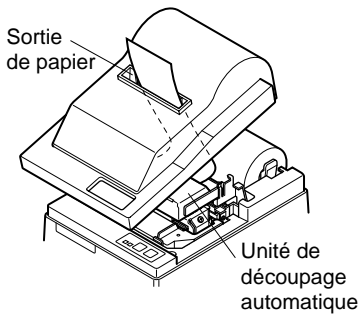
⑦ Appuyez sur la touche d'avance FEED pour faire avancer le papier de 10 cm environ.

⑧ Insérez l'extrémité du papier dans la fente de l'unité de découpage automatique.

- Quand vous utilisez du papier pour copie, insérez seulement l'original (feuille supérieure) dans la fente de l'unité de découpage automatique. Insérez le papier de copie (feuille inférieure) entre le cylindre et l'unité de découpage automatique.



**Fig. 4-16 Insertion du papier dans l'unité de découpage automatique
(avec utilisation de papier pour copie)**



**Fig. 4-17 Fente de sortie du cache
avant**

- ⑨ Tirez sur l'extrémité du papier afin de tendre le papier, puis rabaissez l'unité de découpage automatique.
- ⑩ Insérez le papier dans la sortie de papier, puis remettez le capot en place en suivant la procédure de dépose du capot dans le sens inverse.

Remarque: Quand le repère de fin de papier apparaît sur le papier, remplacez le rouleau de papier avant qu'il soit terminé.

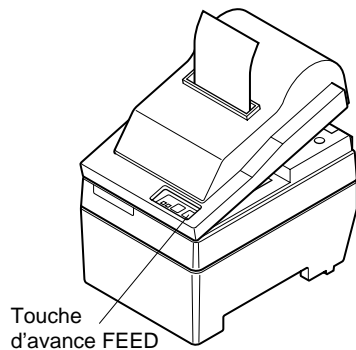


Fig. 4-18

4-3. Enlèvement d'un rouleau de papier

Retirez le capot, puis coupez le papier juste derrière le guide de papier et appuyez sur la touche d'avance FEED afin de faire sortir le reste du papier qui se trouve toujours dans l'imprimante.

Quand tout le papier est sorti, le témoin POWER clignote.

- Remarques**
1. Enfoncez la touche d'avance FEED pour retirer le reste du papier qui se trouve dans l'imprimante.
 2. N'attendez pas que le rouleau de papier soit épuisé avant de le remplacer. Remplacez-le dès que le repère de fin de rouleau apparaît.
 3. Pour enlever le tube du rouleau de papier, ouvrez le support de rouleau de papier.

4-4. Connexion du câble d'interface

4-4-1. Installation du tore de ferrite (UE seulement)

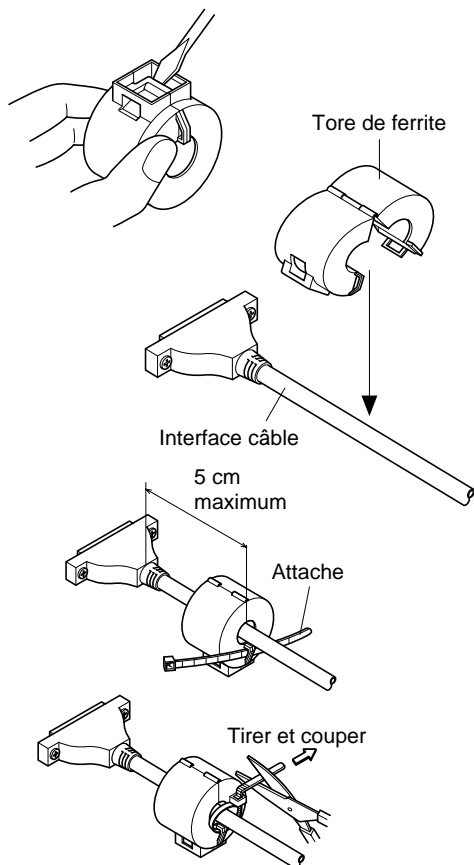


Fig. 4-19

- ① Mettez le tore de ferrite en place sur le câble d'interface série/parallèle comme indiqué dans l'illustration. Si le tore de ferrite n'est pas ouvert, utilisez un tournevis pour l'ouvrir, en prenant soin de ne pas endommager le tore de ferrite ou le dispositif de fermeture en plastique.
- ② Faites passer l'attache dans le tore de ferrite.
- ③ Faites passer l'attache autour du câble et fermez-la.

Coupez toute partie qui dépasse avec des ciseaux.

Attachez le tore de ferrite uniquement sur les câbles des imprimantes vendues dans les pays de l'UE.

4-4-2. Câble d'interface série

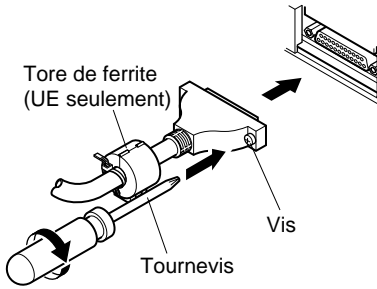


Fig. 4-20 Connexion du câble d'interface série

- ① Mettez l'ordinateur hôte et l'imprimante hors tension.
- ② Insérez un des connecteurs du câble d'interface dans la prise de l'imprimante et l'autre dans la prise de l'ordinateur hôte.
- ③ Serrez ensuite les vis droite et gauche des connecteurs pour les fixer aux prises.

4-4-3. Câble d'interface parallèle

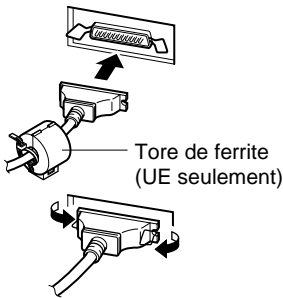


Fig. 4-21 Connexion du câble d'interface parallèle

- ① Mettez l'ordinateur hôte et l'imprimante hors tension.
- ② Insérez un des connecteurs du câble d'interface dans la prise de l'imprimante comme indiqué dans le schéma, et fixez-le avec les fermoirs.
- ③ Insérez l'autre connecteur du câble d'interface dans la prise de l'ordinateur hôte, puis fixez-le également avec les fermoirs.

5. Panneau de Commande

5-1. Fonctionnement de base

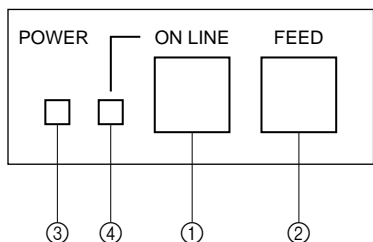


Fig. 5-1 Panneau de commande

- ① Touche ON LINE
Cette touche permet de mettre l'imprimante en ligne ou hors ligne. Vous ne pouvez effectuer cette commutation que si du papier est chargé dans l'imprimante.
- ② Touche d'avance FEED
 - Si vous appuyez sur cette touche, puis la relâchez moins de 0,5 seconde après, le papier avancera d'une ligne à la fois.
 - Si vous maintenez la pression sur cette touche pendant plus de 0,5 seconde, le papier avancera de façon continue.
(Cela est valable que l'imprimante soit en ligne ou hors ligne.)
- ③ Témoin d'alimentation POWER (DEL verte)
 - Ce témoin s'allume quand l'imprimante est sous tension.
 - Ce témoin clignote quand il n'y a plus de papier dans l'imprimante, quand une erreur mécanique ou une surchauffe de la tête d'impression est détectée, ou quand une erreur s'est produite au niveau de l'unité centrale de traitement.
 - Si le papier est épuisé, mettez en place un nouveau rouleau, puis appuyez sur la touche ON LINE.
 - Si le témoin POWER clignote en raison d'une erreur mécanique, mettez l'imprimante hors tension, puis éliminez la cause de l'erreur mécanique et remettez l'imprimante sous tension pour la réinitialiser.
 - Si le témoin POWER clignote après avoir détecté une surchauffe de la tête d'impression, l'imprimante sera réinitialisée automatiquement quand la température de la tête d'impression aura baissé.
- ④ Témoin ON LINE (DEL verte)
DEL allumée : L'imprimante est en ligne
DEL éteinte : L'imprimante est hors ligne
DEL clignotante : Erreur de l'unité centrale

Quand les témoins POWER et ON LINE s'allument simultanément, une erreur s'est produite au niveau de l'unité centrale de traitement.

5-2. Utilisation des touches (Utilisation combinée des touches)

① <Test d'impression>

[FEED] + [POWER ON] (Mettez l'imprimante sous tension tout en maintenant la touche FEED enfoncée.)

Le test d'impression sera effectué conformément au réglage du numéro de vérification, des commutateurs DIP et de l'ordre des caractères. Si vous maintenez la pression sur la touche FEED ou si vous appuyez sur la touche FEED à la fin du test d'impression, seuls les caractères seront imprimés à plusieurs reprises.

```
*** SP2S F 1.7 ***

DIP SW STATUS

  ON  OFF
1 *   Command Mode          STAR
2 *   Control Code CR       INVALID
3 *   International
4 *   Character              U.S.A.
5 *   Set
6 *   Data
7 *   Transmission Rate     9600BPS
8 *   Data Bit Lensth       8BIT
9 *   Parity
10 *  Check                  NONE PARITY

!"#$%&'()*+,-./0123456789:;<=>?@ABCDEFGHI
JKLMNOPQRSTUVWXYZ[\]^_`abcdefghijklmnopqrs
tuvwxyz{|}~ª«»¼½¾¿ÀÁÂÃÄÅÆÇÈÉÊËÌÍÎÏÐÑÒ
ÓÔÕÖ×ØÙÚÛÜÝÞßàáâãäåæçèéêëìíîïðñòóôõö÷
!"#$%&'()*+,-./0123456789:;<=>?@AB
CDEFGHIJKLMNOPQRSTUVWXYZ[\]^_`abcde
fghijklmnopqrsuvwxyz{|}~ª«»¼½¾¿ÀÁÂÃ
ÄÅÆÇÈÉÊËÌÍÎÏÐÑÒÓÔÕÖ×ØÙÚÛÜÝÞßàáâãäåæçèéêëìíîïðñòóôõö÷
```

Fig. 5-2 Exemple d'impression d'essai (quand l'imprimante est utilisée avec l'interface série)

② <Vidage hexadécimal>

ONLINE + **POWER ON** (Mettez l'imprimante sous tension tout en maintenant la touche **ON LINE** enfoncée.)

Chacun des signaux envoyés de l'ordinateur à l'imprimante sera imprimé en code hexadécimal.

Cette fonction vous permet de vérifier si un code de contrôle envoyé à l'imprimante par le programme utilisé est correct ou non. La dernière ligne n'est pas imprimée si les données correspondantes ne remplissent pas une ligne complète. Néanmoins, si vous appuyez sur la touche ON LINE pour mettre l'imprimante hors ligne, la dernière ligne sera imprimée. Pour sortir de ce mode, il est nécessaire de mettre l'imprimante hors tension.

```

00 01 02 03 04 05 06 07      .....
08 09 0A 0B 0C 0D 0E 0F      .....
10 11 12 13 14 15 16 17      .....
18 19 1A 1B 1C 1D 1E 1F      .....
20 21 22 23 24 25 26 27      !"#%&'
28 29 2A 2B 2C 0A            ()*+,.

```

Fig. 5-3 Exemple d'impression d'essai avec vidage hexadécimal

6. Codes de contrôle

Mode STAR

6-1. Commandes utilisées pour le réglage des caractères

Code de contrôle	Code hexadécimal	Fonction
<ESC> “R” n	1B 52 n	Sélection du jeu de caractères internationaux. Le réglage par défaut est fonction du réglage des commutateurs DIP 3, 4 et 5.
<ESC> “M”	1B 4D	Sélection du format de caractère 7 × 7 (demi points) (réglage par défaut)
<ESC> “P”	1B 50	Sélection du format de caractère 9 × 7 (demi points)
<SO>	0E	Sélection des caractères élargis
<SI>	0F	Annulation de la sélection des caractères élargis (réglage par défaut)
<DC4>	14	Annulation de la sélection des caractères élargis (réglage par défaut)
<ESC> “W” “1” <ESC> “W” <1>	1B 57 31 1B 57 01	Sélection des caractères élargis
<ESC> “W” “0” <ESC> “W” <0>	1B 57 30 1B 57 00	Annulation de la sélection des caractères élargis (réglage par défaut)

6-2. Commandes utilisées pour le réglage du mode d'impression

Code de contrôle	Code hexadécimal	Fonction
<ESC> “4”	1B 34	Sélection de la couleur d'impression rouge (valide pour la SP216)
<ESC> “5”	1B 35	Annulation de la sélection de la couleur d'impression rouge (valide pour la SP216) (réglage par défaut)
<ESC> “E”	1B 45	Sélection du mode d'impression avec mise en valeur
<ESC> “F”	1B 46	Annulation de la sélection du mode d'impression avec mise en valeur (réglage par défaut)

6-3. Commandes utilisées pour l'espacement des lignes

Code de contrôle	Code hexadécimal	Fonction
<LF>	0A	Avance ligne par ligne
<CR>	0D	Avance ligne par ligne (comme avec LF)
<ESC> “a” n	1B 61 n	Avance du papier sur n lignes

6-4. Commandes utilisées pour le pilotage des appareils périphériques

Code de contrôle	Code hexadécimal	Fonction
<ESC> <BEL> n1 n2	1B 07 n1 n2	Réglage de la largeur d'impulsion d'entraînement du périphérique (réglage par défaut)
<BEL>	07	Commande d'entraînement différé "A" de l'appareil périphérique 1
<FS>	1C	Commande d'entraînement immédiat "B" de l'appareil périphérique 1

6-5. Commandes de pilotage de l'unité de découpage automatique (Modèle SP240 seulement)

Code de contrôle	Code hexadécimal	Fonction
<ESC> "d" "0" <ESC> "d" <0>	1B 64 30 1B 64 00	Commande de découpage complet adressée à l'unité de découpage automatique
<ESC> "d" "1" <ESC> "d" <1>	1B 64 31 1B 64 01	Commande de découpage partiel adressée à l'unité de découpage automatique

6-6. Autres commandes

Code de contrôle	Code hexadécimal	Fonction
<CAN>	18	Effacement des données d'impression dans la mémoire tampon
<ESC> "@"	1B 40	Initialisation de l'imprimante
<ESC> "e" "0" <ESC> "e" <0>	1B 65 30 1B 65 00	Validation de la combinaison de touches ON LINE/FEED (réglage par défaut)
<ESC> "e" "1" <ESC> "e" <1>	1B 65 31 1B 65 01	Annulation de la combinaison de touches ON LINE/FEED
<ESC> "f" "0" <ESC> "f" <0>	1B 66 30 1B 66 00	Validation de la combinaison de touches ON LINE (réglage par défaut)
<ESC> "f" "1" <ESC> "f" <1>	1B 66 31 1B 66 01	Annulation de la touche ON LINE

INHALTSVERZEICHNIS

1. Kurzbeschreibung	45
2. Auspacken und Aufstellen	46
2-1. Überprüfen	46
2-2. Wahl eines Aufstellungsorts für den Drucker	47
2-3. Hinweise zum Umgang	47
2-4. Wartung	47
3. Beschreibung und Bezeichnung der Geräteteile	48
4. Einlegen von Farbbandkassette und Papier	50
4-1. Typ SP210	50
4-2. Typ SP240	53
4-3. Entfernen des Rollenpapiers	58
4-4. Anschließen des Schnittstellenkabels	58
5. Bedienfeld	60
5-1. Grundlegender Betrieb	60
5-2. Tastenbedienung (kombinierte Tastenbedienung)	61
6. Steuercodes	63
STAR-Modus	63
6-1. Steuercodes für Zeicheneinstellung	63
6-2. Steuercodes für Druckmoduseinstellung	63
6-3. Steuercodes für Zeilenabstand	63
6-4. Steuercodes für Peripheriegeräte	64
6-5. Steuerung für Schneidwerk (nur Typ SP240)	64
6-6. Andere Steuercodes	64
ANHANG	87

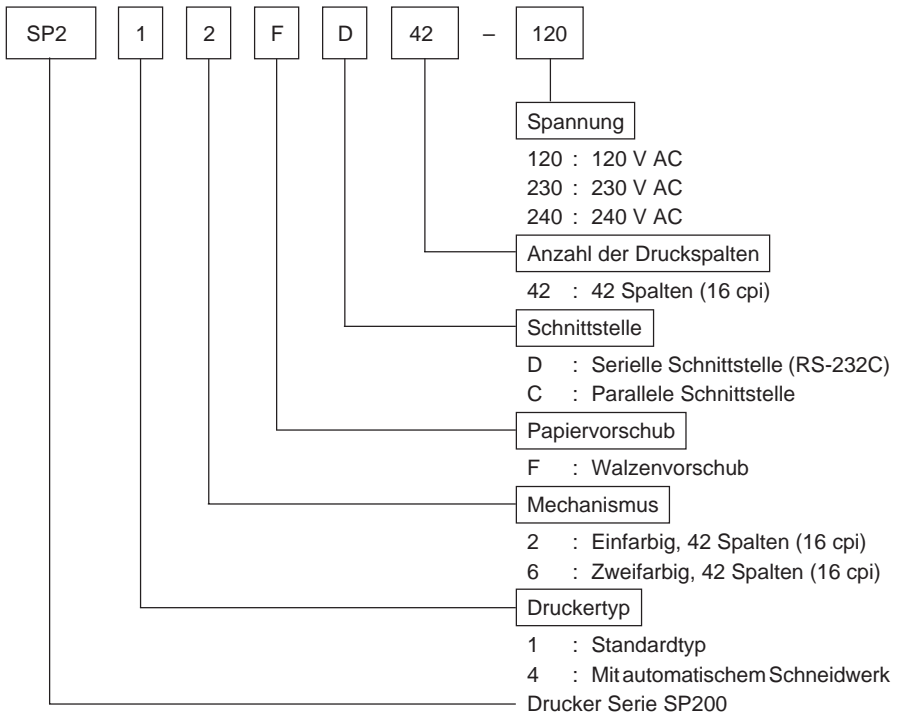
Der Anhand dieser Bedienungsanleitung ist nur in englischer Sprache.

1. Kurzbeschreibung

Der serielle Nadeldrucker der Serie SP200 ist zur Verwendung mit elektronischen Instrumenten wie POS, Bankgeräte, Computerzubehör, etc. gedacht.

Die wichtigsten Merkmale der Serie SP200 sind:

1. Bidirektioneller Druck mit ca. 2,5 Zeilen/s
2. Serielle oder parallele Schnittstelle
3. Pufferspeicher erlaubt, Druckdaten auch während des Druckvorgangs zu empfangen.
4. Peripherie-Steuerschaltung zur Steuerung von externen Geräten wie Registrierkassen:

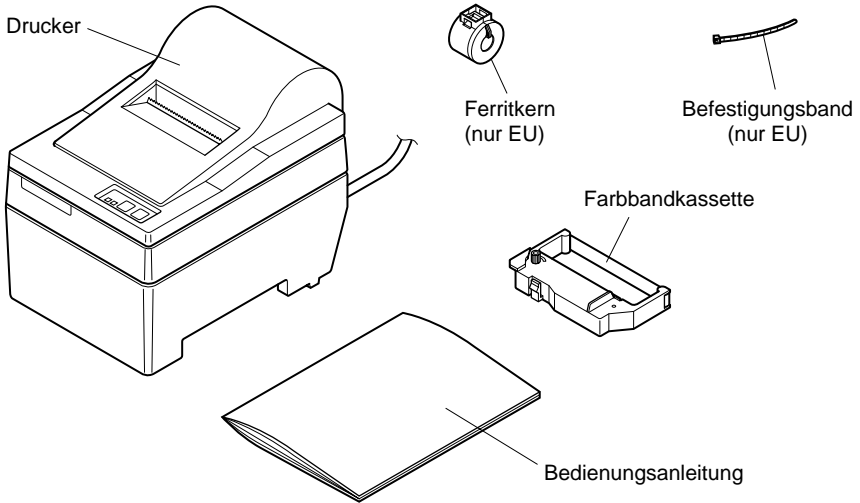


2. Auspacken und Aufstellen

2-1. Überprüfen

Sie den Kartoninhalt, und vergewissern Sie sich, daß alle unten abgebildeten Teile vorhanden sind.

Typ SP210



Typ SP240

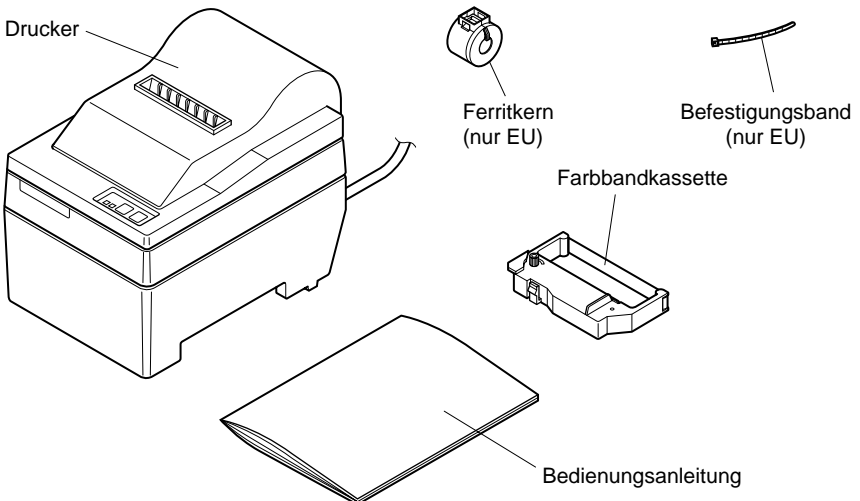


Abb. 2-1 Auspacken

2-2. Wahl eines Aufstellungsorts für den Drucker

Bevor Sie den Drucker auspacken, sollten Sie einige Minuten damit verbringen, einen geeigneten Aufstellungsort auszusuchen. Denken Sie dabei an die folgenden Punkte:

1. Den Drucker vor Hitzequellen wie direktem Sonnenlicht oder Heizkörpern schützen und von Feuchtigkeit und Staub fernhalten.
2. Den Drucker auf einem flachen, aber festen Untergrund aufstellen, wo keine Vibrationen vorhanden sind.
3. Sicherstellen, daß der Drucker an eine einwandfreie Stromzufuhr angeschlossen ist. Er sollte nicht an Steckdosen angeschlossen werden, an denen bereits Geräte mit möglichen Netzstörungen wie Kopierer, Kühlschränke u.a. angeschlossen sind.
4. Die Versorgungsspannung muß dem Spannungswert auf dem Typenschild an der Unterseite des Druckers entsprechen.
5. Die verwendete Steckdose soll in der Nähe und frei zugänglich sein.

2-3. Hinweise zum Umgang

1. Achten Sie darauf, keine Papierclips oder anderen Fremdkörper in den Drucker fallen zu lassen. Diese können Betriebsstörungen oder Schäden am Gerät hervorrufen.
2. Versuchen Sie nicht zu drucken, wenn kein Papier oder keine Farbbandkassette eingelegt ist, da sonst der Druckkopf beschädigt werden kann.
3. Öffnen Sie nicht die Frontabdeckung während des Druckens.
4. Berühren Sie nicht den Druckkopf sofort nach dem Druckvorgang, da dieser sehr heiß wird.
5. Verwenden Sie nur Rollenpapier, das nicht am Rollenkern festgeklebt ist.
6. Wenn die Papierende-Markierung erscheint, tauschen Sie die Papierrolle aus, bevor sie ganz verbraucht ist.

2-4. Wartung

Ihr Drucker ist ein robust gebautes Gerät, sollte aber trotzdem mit einem gewissen Maß an Vorsicht behandelt werden, um Fehlfunktionen zu vermeiden. Zum Beispiel:

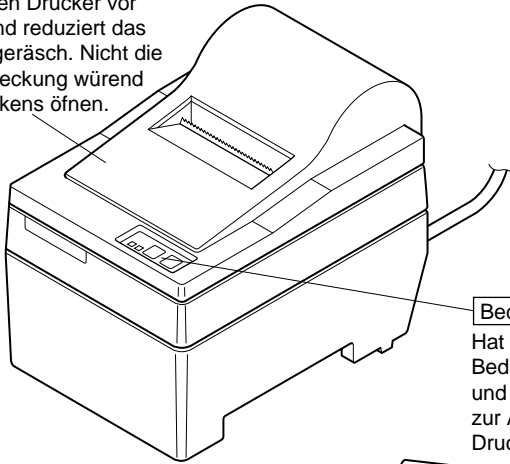
1. Stellen Sie den Drucker in einer "komfortablen" Betriebsumgebung auf. Als Faustregel gilt: Wo Sie sich wohlfühlen, fühlt sich der Drucker ebenfalls wohl.
2. Setzen Sie den Drucker keinen Erschütterungen oder starken Vibrationen aus.
3. Vermeiden Sie sehr staubige Umgebungen. Staub ist der Erzfeind aller Präzisionsgeräte.
4. Zum Reinigen des Gehäuses verwenden Sie einen nur leicht mit Wasser, sehr milder wässriger Seifenlösung oder ein wenig Alkohol angefeuchteten Lappen. Lassen Sie auf keinen Fall Flüssigkeiten in das Innere des Druckers geraten.
5. Das Innere des Druckers kann mit einem kleinen Reiniger oder einem Luftspray (in Fachgeschäften erhältlich) gereinigt werden. Bei dieser Arbeit darauf achten, keine Kabelverbindungen oder elektronische Bauteile zu verbiegen oder zu beschädigen.

3. Beschreibung und Bezeichnung der Geräteteile

Typ SP210

Abdeckung

Schützt den Drucker vor Staub, und reduziert das Betriebsgeräusch. Nicht die Frontabdeckung während des Druckens öffnen.

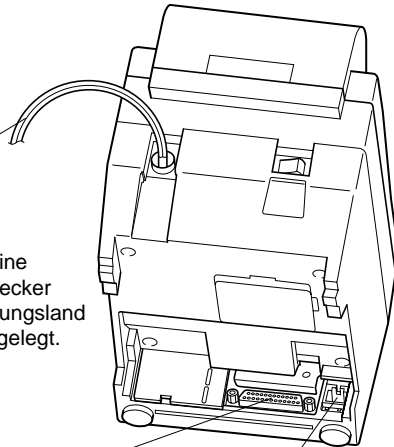


Bedienfeld

Hat zwei Bedienungstasten und zwei Anzeigen zur Anzeige des Druckerzustands.

Netzkabel

Zum Anschluß an eine Netzbuchse. Der Stecker ist je nach Bestimmungsland unterschiedlich ausgelegt.



Schnittstellenbuchse

Zum Anschluß des Druckers an den Hostcomputer.

Peripheriegerät-Steueranschluß

Zum Anschluß an Peripheriegeräte wie Registrierkassen etc. Nicht zum Anschluß an ein Telefon!

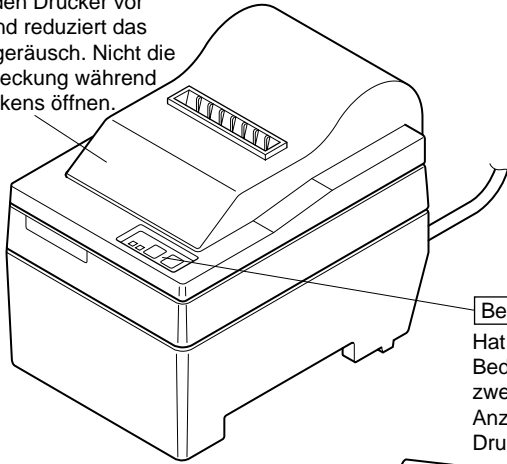
Abb. 3-1 Außenansicht des Druckers (Typ SP210)

Typ SP240

DEUTSCH

Abdeckung

Schützt den Drucker vor Staub, und reduziert das Betriebsgeräusch. Nicht die Frontabdeckung während des Druckens öffnen.

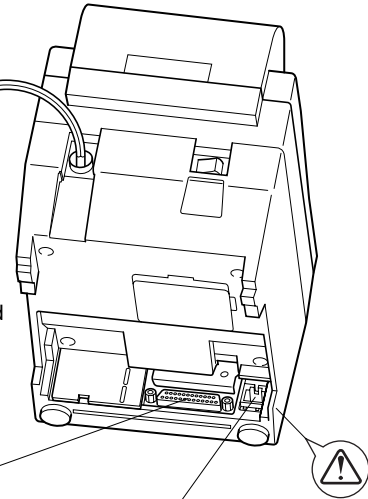


Bedienfeld

Hat zwei Bedienungstasten und zwei Anzeigen zur Anzeige des Druckerzustands.

Netzkabel

Zum Anschluß an eine Netzbuchse. Der Stecker ist je nach Bestimmungsland unterschiedlich ausgelegt.



Schnittstellenbuchse

Zum Anschluß des Druckers an den Hostcomputer.

Peripheriegerät-Steueranschluß

Zum Anschluß an Peripheriegeräte wie Registrierkassen etc. Nicht zum Anschluß an ein Telefon!

Abb. 3-2 Außenansicht des Druckers (Typ SP240)

4. Einlegen von Farbbandkassette und Papier

4-1. Typ SP210

4-1-1. Einlegen der Farbbandkassette

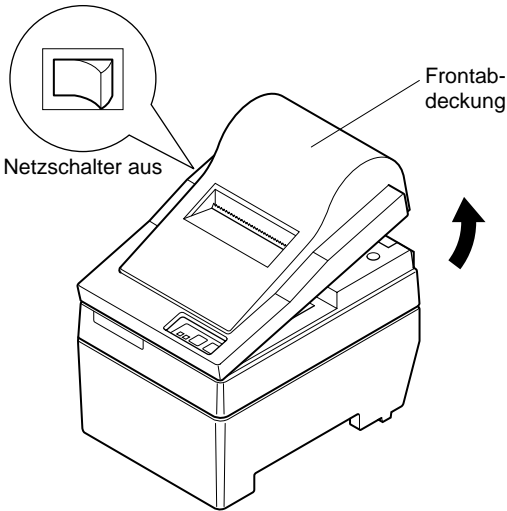


Abb. 4-1 Abdeckung abnehmen

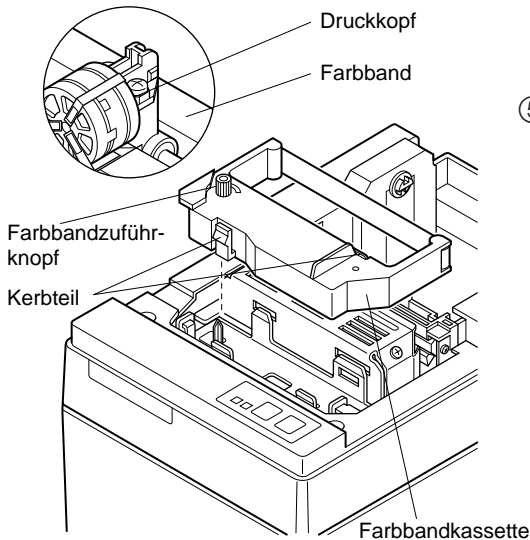


Abb. 4-2 Einlegen der Farbbandkassette

- ① Den Netzschalter am Drucker in Aus-Stellung stellen.
- ② Zum Abnehmen der Frontabdeckung diese ca. 3 cm anheben, und nach vorne ziehen.
- ③ Die Farbbandkassette in der Richtung einsetzen wie in der Abbildung 4-2 gezeigt und eindrücken, bis sie hörbar einrastet. Wenn die Farbbandkassette nicht richtig sitzt, eingedrückt halten und gleichzeitig den Farbbandknopf in Pfeilrichtung drehen.
- ④ Um Schlaufen im Farbband aufzuwickeln, den Farbbandzuführknopf der Farbbandkassette in Pfeilrichtung drehen.
- ⑤ Zum Anbringen der Frontabdeckung die Ausbauschritte wie in ② oben beschrieben in umgekehrter Reihenfolge ausführen.

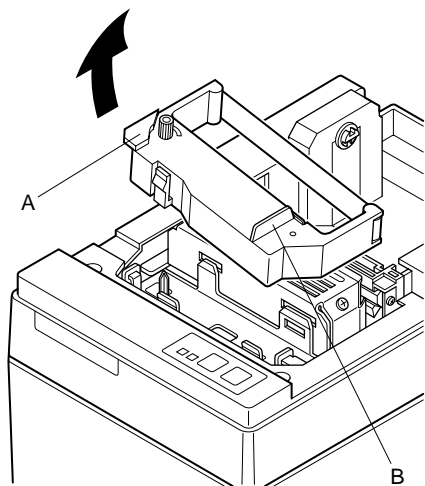


Abb. 4-3

Hinweis: Beim Entfernen der Farbbandkassette den Teil A anheben und dann die Kassette an Teil B halten und Abziehen wie in Abbildung 4-3 gezeigt.

4-1-2. Einlegen von Papier

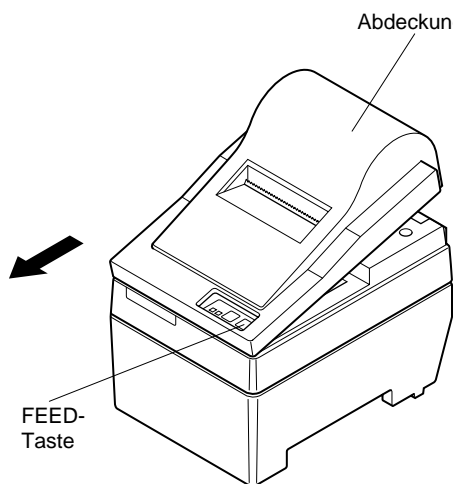


Abb. 4-4 Entfernen der Abdeckung

① Die Abdeckung um etwa 3 cm anheben. Die Abdeckung in diesem Winkel halten, und dann zum Entfernen nach vorne ziehen.

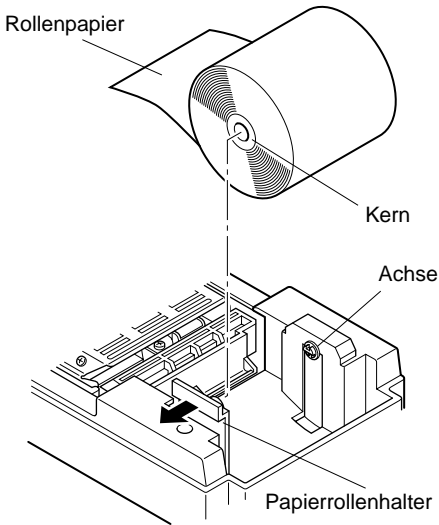


Abb. 4-5 Papier einlegen

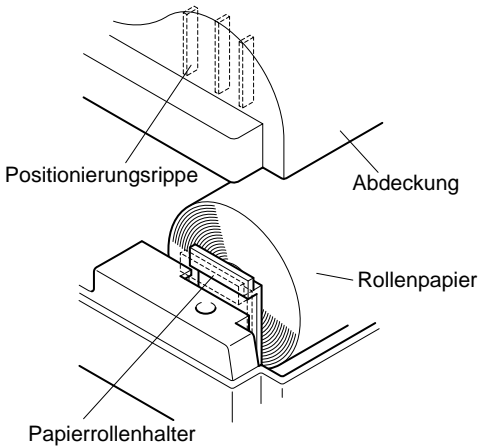


Abb. 4-6

- ② Schneiden Sie die Vorderkante des Rollenpapiers in einer geraden Linie ab.
 - ③ Bestätigen Sie, daß der Drucker eingeschaltet ist.
 - ④ Unter Beachtung der Richtung des Rollenpapiers führen Sie die Vorderkante des Papiers unter der Papierführung so weit wie möglich ein. Wenn die Rolle einglegt ist, kommt das Vorderende des Papiers automatisch aus dem Papierauslaufschlitz.
 - ⑤ Bewegen Sie den Papierrollenhalter in Pfeilrichtung und setzen Sie die Rolle so ein, daß die Löcher in der Kernführung mit den Achsen des Papierrollenhalters übereinstimmen.
Lassen Sie den Papierrollenhalter los, um das Papier festzuhalten.
 - ⑥ Wenn der Papierrollenkern nicht richtig mit dem Papierrollenhalter ausgerichtet ist, kann die Abdeckung nicht richtig geschlossen werden, bevor die Papierposition korrigiert ist.
 - ⑦ Drücken Sie die FEED-Taste (Papiervorschub), um das Papier um ca. 10 cm vorzuschieben.
 - ⑧ Führen Sie die Oberkante des Papiers in den Abreißkantenschlitz ein, und bringen dann die Abdeckung an, indem Sie die Ausbauschritte von Schritt ① oben in umgekehrter Reihenfolge ausführen.
- Hinweis:** Wenn die Papierendmarkierung auf dem Papier erscheint, das Rollenpapier austauschen, bevor es zu Ende geht.

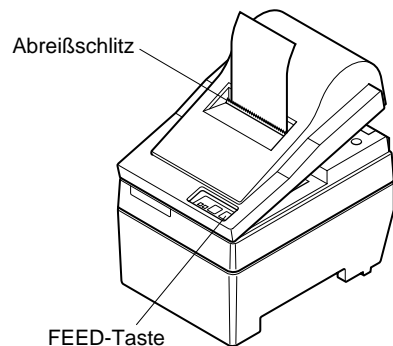
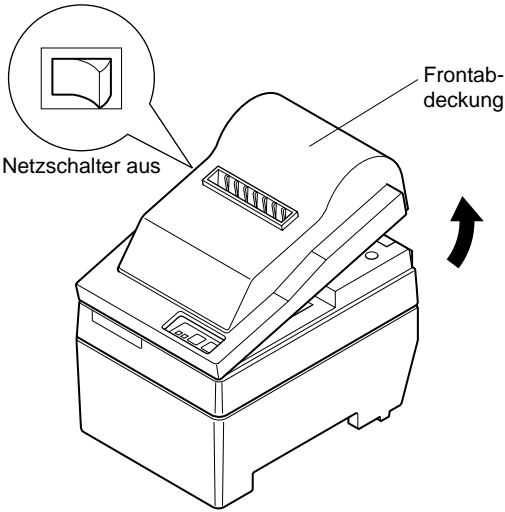


Abb. 4-7

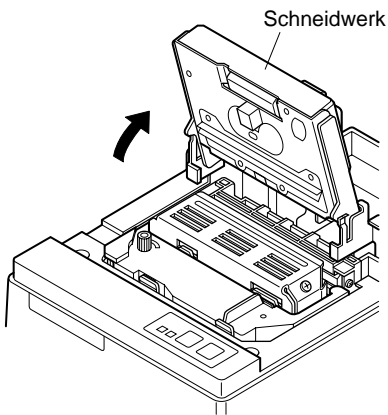
4-2. Typ SP240

4-2-1. Einlegen der Farbbandkassette



- ① Stellen Sie den Netzschalter am Drucker in Aus-Stellung.
- ② Zum Abnehmen der Frontabdeckung heben Sie diese ca. 3 cm an, und ziehen sie dann nach vorne.

Abb. 4-8 Abdeckung abnehmen



- ③ Heben Sie das Schneidwerk an und stellen es in senkrechte Stellung, wie in Abbildung 4-9 gezeigt.

Abb. 4-9 Anheben des Schneidwerks

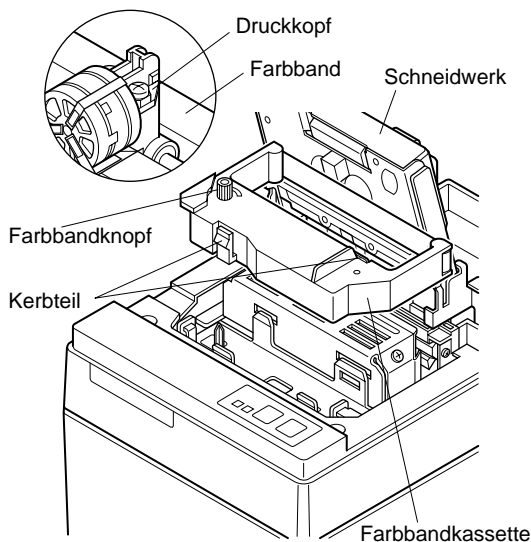


Abb. 4-10 Einlegen einer Farbbandkassette

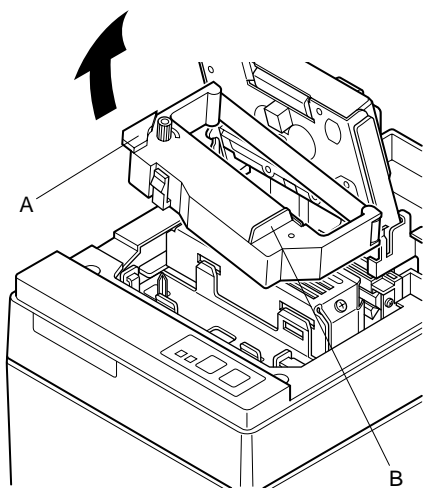


Abb. 4-11

- ④ Die Farbbandkassette in der Richtung einsetzen wie in der Abbildung 4-10 gezeigt und eindrücken, bis sie hörbar einrastet. Wenn die Farbbandkassette nicht richtig sitzt, eingedrückt halten und gleichzeitig den Farbbandknopf in Pfeilrichtung drehen.
- ⑤ Um Schlaufen im Farbband aufzuwickeln, den Farbbandzuführungsknopf der Farbbandkassette in Pfeilrichtung drehen.
- ⑥ Das Schneidwerk schließen.
- ⑦ Zum Anbringen der Frontabdeckung die Ausbauschritte wie in ② beschrieben in umgekehrter Reihenfolge ausführen.

Hinweis: Beim Entfernen der Farbbandkassette den Teil A anheben und dann die Kassette an Teil B halten und Abziehen wie in Abbildung 4-11 gezeigt.

4-2-2. Einlegen von Papier

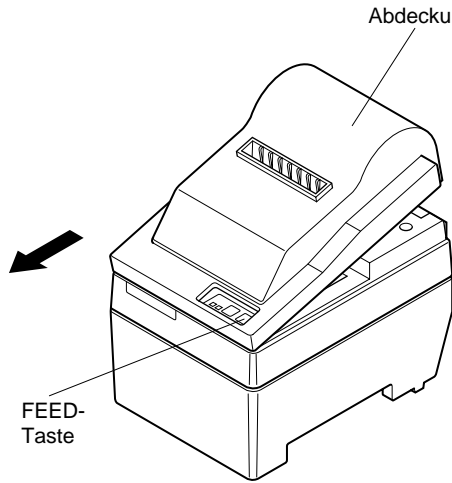


Abb. 4-12 Entfernen der Abdeckung

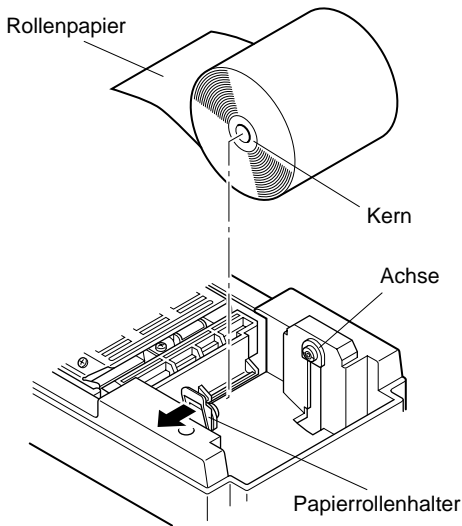


Abb. 4-13 Einlegen des Papiers

① Die Abdeckung um etwa 3 cm anheben. Die Abdeckung in diesem Winkel halten, und dann zum Entfernen nach vorne ziehen.

② Schneiden Sie die Vorderkante des Rollenpapiers in einer geraden Linie ab.

③ Bestätigen Sie, daß der Drucker eingeschaltet ist.

④ Unter Beachtung der Richtung des Rollenpapiers führen Sie die Vorderkante des Papiers unter der Papierführung so weit wie möglich ein. Wenn die Rolle einglegt ist, kommt das Vorderende des Papiers automatisch aus dem Papierauslaufschlitz. Nachdem etwa 2 cm Papier ausgeschoben sind, wird das Papier automatisch abgeschnitten.

⑤ Bewegen Sie den Papierrollenhalter in Pfeilrichtung und setzen Sie die Rolle so ein, daß die Löcher in der Kernführung mit den Achsen des Papierrollenhalters übereinstimmen.

Lassen Sie den Papierrollenhalter los, um das Papier festzuhalten.

⑥ Wenn der Papierrollenkern nicht richtig mit dem Papierrollenhalter ausgerichtet ist, kann die Abdeckung nicht richtig geschlossen werden, bevor die Papierposition korrigiert ist.

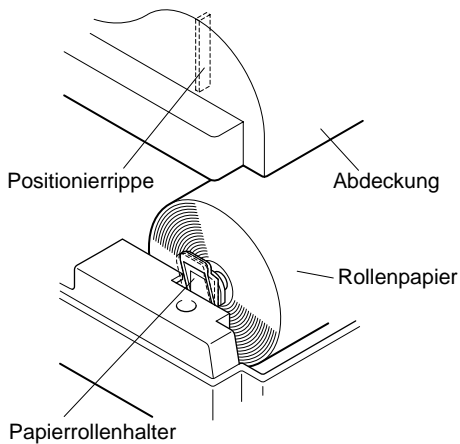


Abb. 4-14

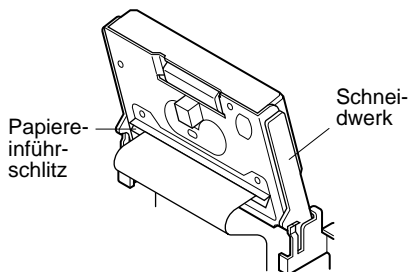
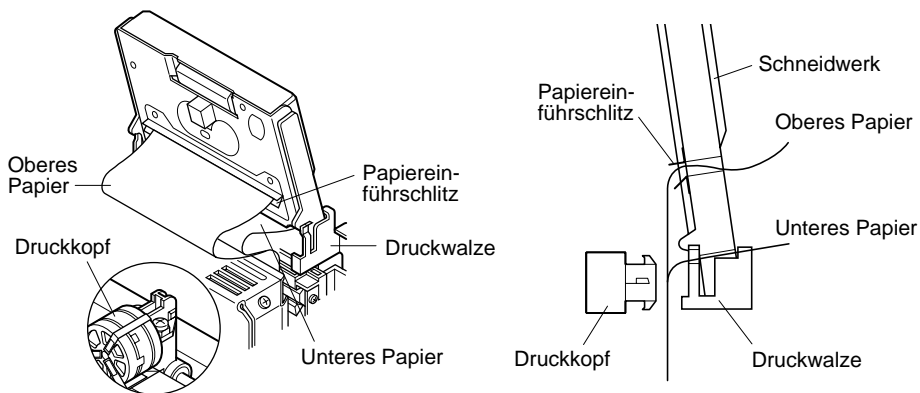


Abb. 4-15 Einföhren des Papiers in das Schneidwerk

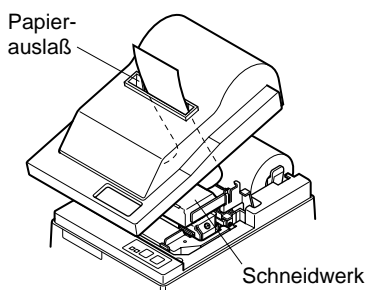
⑦ Dröcken Sie die FEED-Taste (Papiervorschub), um das Papier um ca. 10 cm vorzuschieben.

⑧ Föhren Sie die Oberkante des Papiers in den Schlitz des Papierschneidwerks ein.

- Bei Verwendung von Durchschlagpapier föhren Sie nur das Original (den oberen Teil) in den Schlitz des Schneidwerks ein. Föhren Sie das zu kopierende Papier (das untere Papier) zwischen Druckwalze und Schneidwerk ein.



**Abb. 4-16 Einführen des Papiers in das Schneidwerk
(bei Verwendung von Durchschlagpapier)**



**Abb. 4-17 Papierauslaß an der Front-
abdeckung**

- ⑨ Ziehen Sie die Kante des Papiers aus, um Schlaufen zu beseitigen, und senken Sie dann das Schneidwerk ab.
- ⑩ Führen Sie das Papier durch den Papierauslaß, und setzen Sie dann die Abdeckung wieder auf, indem Sie die Ausbauschritte in umgekehrter Reihenfolge ausführen.

Hinweis: Wenn die Papierendmarkierung auf dem Papier erscheint, das Rollenpapier austauschen, bevor es zu Ende geht.

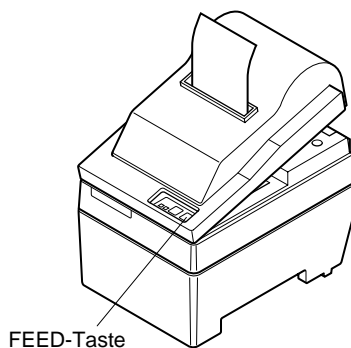


Abb 4-18

4-3. Entfernen des Rollenpapiers

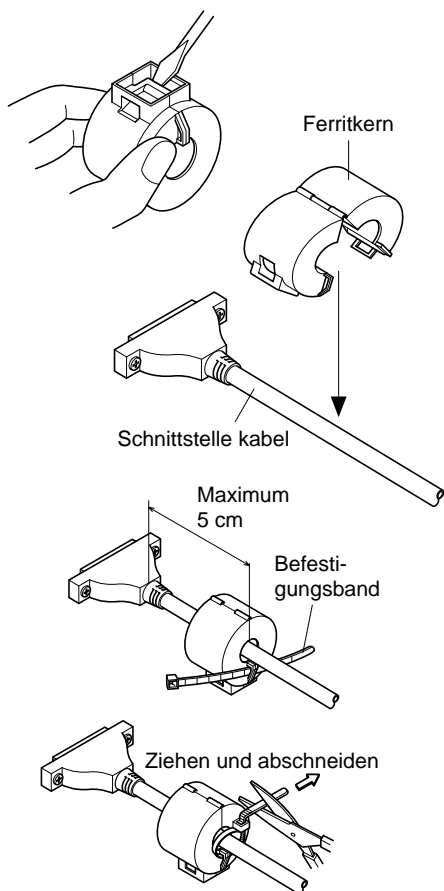
Nehmen Sie die Abdeckung ab, und schneiden Sie das Papier in der Nähe der Papierführung ab. Dann drücken Sie die FEED-Taste, um den Rest des Papiers auszugeben, der noch in der Einheit ist.

Wenn das Papier verbraucht ist, blinkt das Lämpchen POWER.

- Hinweis**
1. Durch Drücken der FEED-Taste wird der Rest des noch im Drucker befindlichen Papiers ausgegeben.
 2. Wenn die Papier-Verbraucht-Markierung auf dem Papier erscheint, tauschen Sie die Rolle aus, bevor das Papier ganz zu Ende ist.
 3. Beim Entfernen des Kerns der Papierrolle den Rollenpapierhalter öffnen.

4-4. Anschließen des Schnittstellenkabels

4-4-1. Anbringen des Ferritkerns (nur EU)



- ① Bringen Sie den Ferritkern am seriellen/parallelen Schnittstellenkabel an wie in der Abbildung gezeigt. Wenn ein Ferritkern nicht offen ist, hebeln Sie ihn mit einem Schraubenzieher auf, achten aber darauf, den Kern oder die Verriegelung nicht zu beschädigen.
- ② Führen Sie das Befestigungsband durch den Ferritkern.
- ③ Führen Sie das Befestigungsband um das Kabel und sperren Sie es. Schneiden Sie überschüssiges Band mit einer Schere ab. Bringen Sie den Ferritkern nur an im Gebiet der EU verkauften Druckern an.

Abb. 4-19

4-4-2. Serielles Schnittstellenkabel

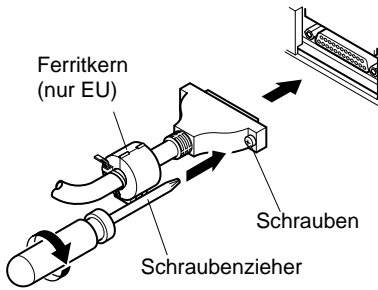


Abb. 4-20 Anschließen des Schnittstellenkabels

- ① Schalten Sie sowohl den Hostcomputer als auch den Drucker aus.
- ② Stecken Sie den Stecker des Schnittstellenkabels in die entsprechenden Buchsen am Drucker und am Hostcomputer ein.
- ③ Ziehen Sie die linken und rechten Schrauben an den Steckern fest, um den festen Sitz des Steckers zu sichern.

4-4-3. Paralleles Schnittstellenkabel

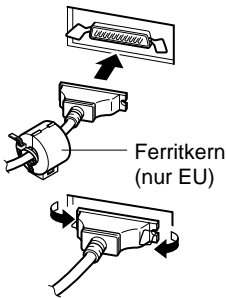


Abb. 4-21 Anschließen des parallelen Schnittstellenkabels

- ① Schalten Sie sowohl den Hostcomputer als auch den Drucker aus.
- ② Stecken Sie einen Stecker des Schnittstellenkabels in die parallele Schnittstellenbuchse am Drucker, und klemmen Sie ihn mit den Haltebügel fest.
- ③ Stecken Sie den anderen Stecker des Schnittstellenkabels in die parallele Schnittstellenbuchse am Hostcomputer, und klemmen Sie ihn mit den Haltebügel fest.

5. Bedienfeld

5-1. Grundlegender Betrieb

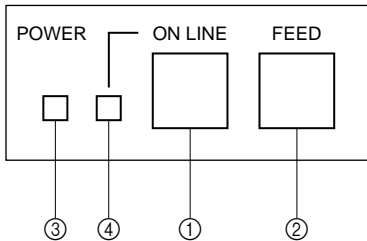


Abb. 5-1 Bedienfeld

- ① Taste ON LINE
Schaltet den Drucker zwischen On-line und Off-line Betrieb um. Umschalten ist nur möglich, wenn Papier im Drucker eingelegt ist.
- ② FEED-Taste
 - Wenn diese Taste gedrückt und dann innerhalb von 0,5 s losgelassen wird, wird das Papier um eine Zeile vorgeschoben.
 - Wenn diese Taste länger als 0,5 s gedrückt gehalten wird, wird das Papier kontinuierlich vorgeschoben. (Der obige Vorschubvorgang ist sowohl im On-line als auch im Off-line Betrieb möglich.)

- ③ Netzlämpchen POWER (grüne LED)
 - Leuchtet auf, wenn der Drucker mit Netzstrom versorgt wird.
 - Blinkt, wenn das Papier verbraucht ist, eine mechanische Störung vorliegt, wenn ein Alarm aufgrund von hoher Druckkopftemperatur ausgelöst wurde oder ein CPU-Fehler aufgetreten ist.
 - Wenn das Papier verbraucht ist, neues Papier einlegen und die Taste ON LINE drücken.
 - Wenn das Netzlämpchen POWER aufgrund eines mechanischen Fehlers blinkt, den Drucker ausschalten und die mechanische Störung beheben. Dann den Drucker wieder einschalten, um einen Reset auszuführen.
 - Wenn das Netzlämpchen POWER aufgrund von hoher Druckkopftemperatur blinkt, wird der Drucker automatisch wieder aktiviert, wenn die Kopftemperatur absinkt.
- ④ Lämpchen ON LINE (grüne LED)
 - LED leuchtet: Drucker im On-line-Betrieb
 - LED erloschen: Drucker im Off-line-Betrieb
 - LED blinkt: CPU-Fehler.

Wenn die Lämpchen POWER und ON LINE gleichzeitig leuchten, liegt ein CPU-Fehler vor.

② <Sedezimale Datenausgabe>

ONLINE + **POWER ON** (Gerät einschalten, während die Taste **ONLINE** gedrückt gehalten wird.)

Bei diesem Befehle werden alle Codes (Zeichencodes und Steuercodes), die vom Computer zum Drucker gesandt werden, in sedezimaler Form ausgedruckt.

Der sedezimale Datenausdruck ist nützlich, um zu prüfen, ob vom Drucker ausgegebene Steuercodes richtig sind. Die letzte Zeile wird nicht ausgedruckt, wenn sie nicht vollständig mit Daten gefüllt ist. Wenn die Taste **ONLINE** gedrückt wird, um den Drucker auf off-line zu stellen, wird die letzte Zeile aber gedruckt. Um diesen Modus zu beenden, muß der Drucker einmal ausgeschaltet werden.

00 01 02 03 04 05 06 07
08 09 0A 0B 0C 0D 0E 0F
10 11 12 13 14 15 16 17
18 19 1A 1B 1C 1D 1E 1F
20 21 22 23 24 25 26 27	!"#\$%&'
28 29 2A 2B 2C 0A	()*+,. .

Abb. 5-3 Beispiel für sedezimalen Datenausdruck

6. Steuercodes

STAR-Modus

6-1. Steuercodes für Zeicheneinstellung

Steuercodes	Sedezimalcodes	Funktion
<ESC> "R" n	1B 52 n	Wählt internationalen Zeichensatz. Vorgabe-Einstellung ist entsprechend DIP-Schalter-Einstellung 3, 4 und 5.
<ESC> "M"	1B 4D	Wählt 7 × 7 (Halb-Punkt) Zeichengröße (Vorgabe-Einstellung)
<ESC> "P"	1B 50	Wählt 9 × 7 (Halb-Punkt) Zeichengröße
<SO>	0E	Wählt erweiterten Zeichenmodus (Vorgabe-Einstellung)
<SI>	0F	Hebt erweiterten Zeichenmodus auf (Vorgabe-Einstellung)
<DC4>	14	Hebt erweiterten Zeichenmodus auf (Vorgabe-Einstellung)
<ESC> "W" "1" <ESC> "W" <1>	1B 57 31 1B 57 01	Wählt erweiterten Zeichenmodus
<ESC> "W" "0" <ESC> "W" <0>	1B 57 30 1B 57 00	Hebt erweiterten Zeichenmodus auf (Vorgabe-Einstellung)

6-2. Steuercodes für Druckmoduseinstellung

Control codes	Hexadecimal codes	Function
<ESC> "4"	1B 34	Wahl von Rotdruck (aktiv für SP216)
<ESC> "5"	1B 35	Aufheben von Rotdruck (aktiv für SP216) (Vorgabe-Einstellung)
<ESC> "E"	1B 45	Wahl von Fettdruck
<ESC> "F"	1B 46	Aufheben von Fettdruck (Vorgabe-Einstellung)

6-3. Steuercodes für Zeilenabstand

Steuercodes	Sedezimalcodes	Funktion
<LF>	0A	Zeilenvorschub
<CR>	0D	Zeilenvorschub (gleich wie LF)
<ESC> "a" n	1B 61 n	Papiervorschub um n Zeilen

6-4. Steuercodes für Peripheriegeräte

Steuercodes	Sedezimalcodes	Funktion
<ESC> <BEL> n1 n2	1B 07 n1 n2	Treiberimpuls-Einstellung für Peripheriegerät (Vorgabe-Einstellung)
<BEL>	07	Verzögerter Treiberbefehl "A" für Peripheriegerät 1
<FS>	1C	Sofortiger Treiberbefehl "B" für Peripheriegerät 1

6-5. Steuerung für Schneidwerk (nur Typ SP240)

Steuercodes	Sedezimalcodes	Funktion
<ESC> "d" "0" <ESC> "d" <0>	1B 64 30 1B 64 00	Voll-Abschneiden-Befehl für Schneidwerk
<ESC> "d" "1" <ESC> "d" <1>	1B 64 31 1B 64 01	Teil-Abschneiden-Befehl für Schneidwerk

6-6. Andere Steuercodes

Steuercodes	Sedezimalcodes	Funktion
<CAN>	18	Druckdaten im Pufferspeicher löschen
<ESC> "@"	1B 40	Drucker initialisieren
<ESC> "e" "0" <ESC> "e" <0>	1B 65 30 1B 65 00	Taste ONLINE/FEED gültig (Vorgabe-Einstellung)
<ESC> "e" "1" <ESC> "e" <1>	1B 65 31 1B 65 01	Taste ONLINE/FEED ungültig
<ESC> "f" "0" <ESC> "f" <0>	1B 66 30 1B 66 00	Taste ONLINE gültig (Vorgabe-Einstellung)
<ESC> "f" "1" <ESC> "f" <1>	1B 66 31 1B 66 01	Taste ONLINE ungültig

INDICE

1. Descrizione	67
2. Disimballaggio e installazione	68
2-1. Disimballaggio	68
2-2. Collocazione della stampante	69
2-3. Precauzioni per l'uso	69
2-4. Manutenzione	69
3. Identificazione delle parti e nomenclatura	70
4. Inserimento della cartuccia nastro e della carta	72
4-1. Tipo SP210	72
4-2. Tipo SP240	75
4-3. Rimozione della carta	80
4-4. Collegamento del cavo interfaccia	80
5. Pannello comandi	82
5-1. Funzionamento basilare	82
5-2. Operazioni con gli interruttori (operationi combinate degli interruttori)	83
6. Codici di controllo	85
Modo STAR	85
6-1. Codici di controllo usati nell'impostazione dei caratteri	85
6-2. Codici di controllo usati nell'impostazione del modo di stampa	85
6-3. Codici di controllo usati nella spaziatura delle righe	85
6-4. Codici di controllo usati per unità periferiche	86
6-5. Controllo della taglierina automatica (solo tipo SP240)	86
6-6. Altri codici di controllo	86
APPENDICE	87

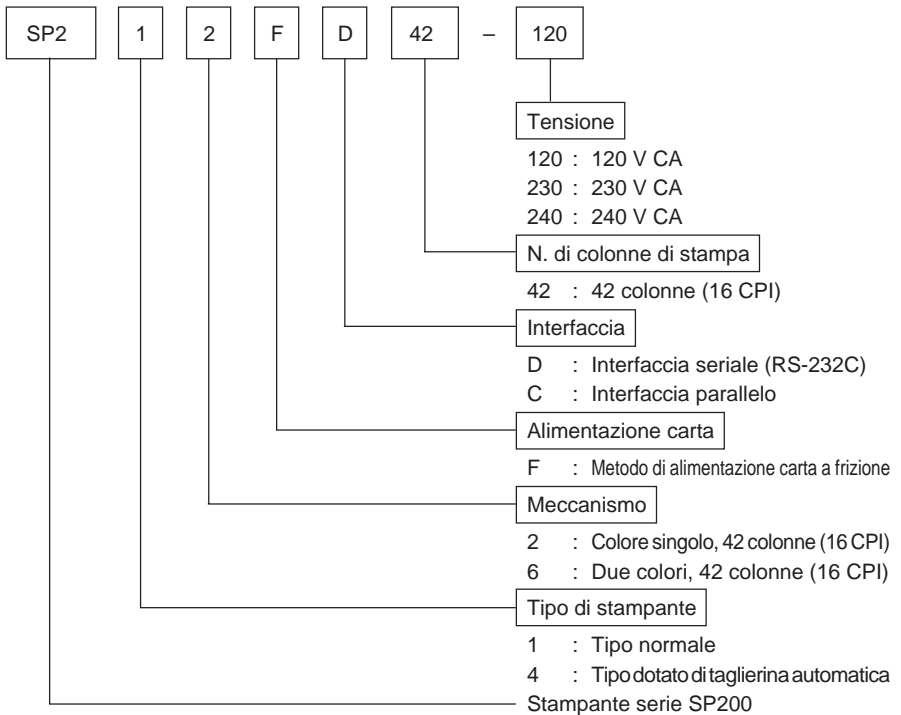
L'Appendice appare solo nella sezione in inglese di questo manuale.

1. Descrizione

La stampante seriale a matrice di impunti a impatto SP200 è stata progettata per l'uso con strumenti elettronici come POS, apparecchiature bancarie, periferiche computer, ecc.

Le principali caratteristiche della serie SP200 sono come segue:

1. Stampa bidirezionale a circa 2,5 righe/sec.
2. Interfaccia seriale o interfaccia parallelo
3. Buffer dati per la ricezione di dati di stampa anche durante la stampa
4. Circuito di pilotaggio unità periferiche per controllare dispositivi esterni come registri di cassa.

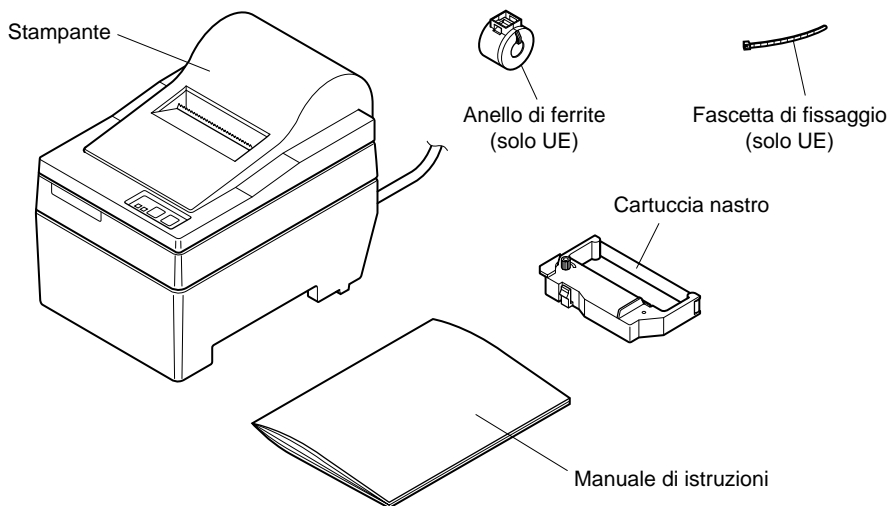


2. Disimballaggio e installazione

2-1. Disimballaggio

Dopo aver disimballato l'unità, controllare che tutti gli accessori necessari siano inclusi nella confezione.

Tipo SP210



Tipo SP240

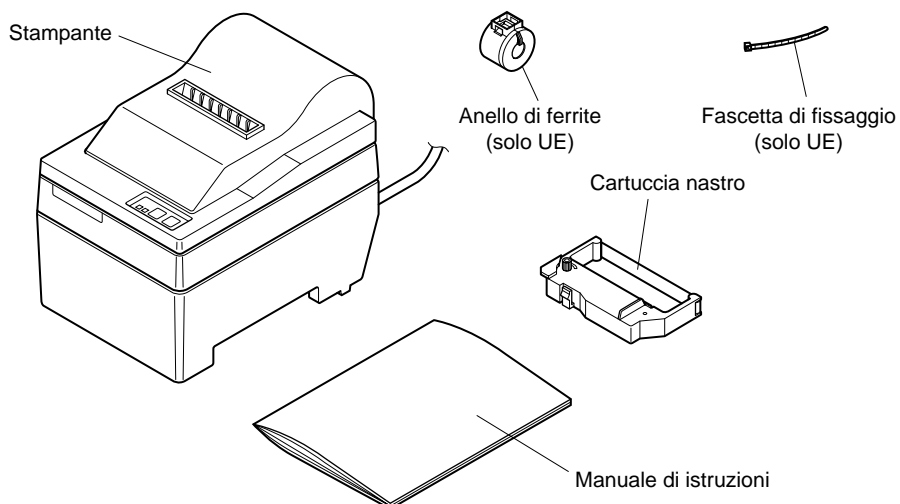


Fig. 2-1 Disimballaggio

2-2. Collocazione della stampante

Quando si colloca la stampante, tenere presenti le seguenti considerazioni:

1. Proteggere la stampante da calore eccessivo come luce solare diretta o caloriferi e tenerla lontana da umidità e polvere.
2. Collocare la stampante su una superficie stabile e piana che non sia soggetta a vibrazioni.
3. Collegare alla stampante una fonte di alimentazione stabile che non sia soggetta a picchi.
Per esempio non collegarla sullo stesso circuito di apparecchiature grandi che producono disturbi, come frigoriferi o condizionatori d'aria.
4. Assicurarsi che la tensione della linea corrisponda alla tensione specificata sulla piastrina di identificazione della stampante.
5. Per scollegare la stampante, scollegare la spina dalla presa di corrente, che si deve trovare vicino alla stampante e in un luogo facilmente accessibile.

2-3. Precauzioni per l'uso

1. Fare attenzione a non lasciar cadere graffette, spilli e altri oggetti estranei nell'unità perché potrebbero causare problemi di funzionamento.
2. Non tentare di stampare quando la carta o la cartuccia nastro non sono inserite nella stampante, altrimenti la testina di stampa potrebbe essere danneggiata.
3. Non aprire il coperchio durante la stampa.
4. Non toccare la testina di stampa immediatamente dopo la stampa perché scotta.
5. Usare solo carta in rotoli che non è incollata all'anima di cartone.
6. Quando il segno di fine carta appare sulla carta, sostituire il rotolo di carta prima che finisca.

2-4. Manutenzione

La stampante è fondamentalmente robusta, ma deve essere trattata con una certa cura per evitare problemi di funzionamento. Per esempio:

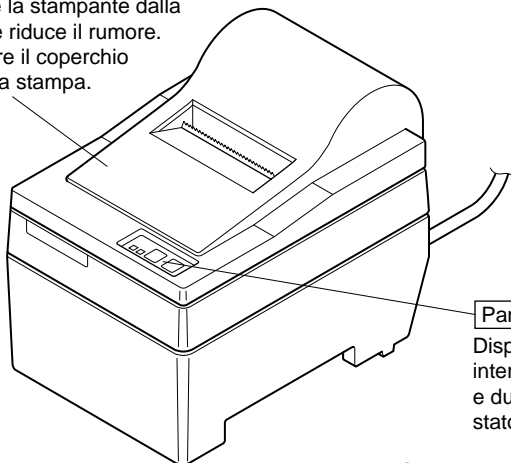
1. Tenere la stampante in un ambiente "confortevole". In parole povere, se l'ambiente è confortevole per le persone sarà adatto anche per la stampante.
2. Non esporre la stampante a urti o vibrazioni eccessive.
3. Evitare ambienti troppo polverosi. La polvere è il nemico di tutte le apparecchiature meccaniche di precisione.
4. Per pulire l'esterno della stampante usare un panno appena inumidito con acqua e un poco di detergente o di alcool, ma evitare la penetrazione di liquido nella stampante.
5. L'interno della stampante può essere pulito con un piccolo pulitore o una bombola di aria compressa (venduta a questo scopo). Quando si esegue questa operazione, assicurarsi di non piegare o danneggiare i collegamenti dei cavi o i componenti elettronici.

3. Identificazione delle parti e nomenclatura

Tipo SP210

Coperchio

Protegge la stampante dalla polvere e riduce il rumore. Non aprire il coperchio durante la stampa.

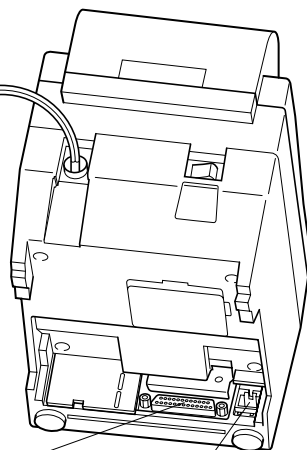


Pannello comandi

Dispone di due interruttori di controllo e due indicatori dello stato della stampante.

Cavo di alimentazione CA

Collegarlo ad una presa a muro della tensione specificata. La forma della spina del cavo di alimentazione CA varia a seconda del paese di destinazione.



Connettore interfaccia

Per collegare la stampante al computer ospite.

Connettore circuito pilota per unità periferiche

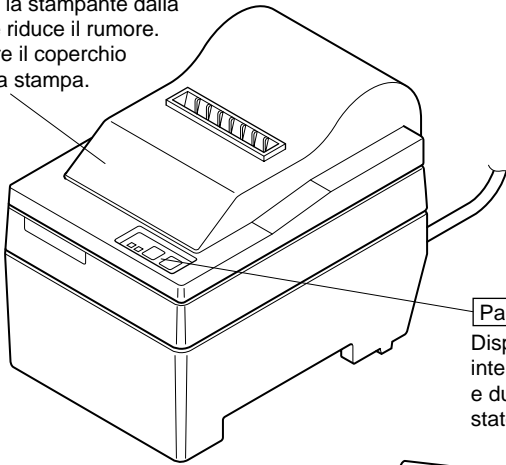
Per il collegamento a unità periferiche come registri di cassa, ecc. Non collegarlo ad un telefono.

Fig. 3-1 Vista esterna della stampante (tipo SP210)

Tipo SP240

Coperchio

Protegge la stampante dalla polvere e riduce il rumore. Non aprire il coperchio durante la stampa.

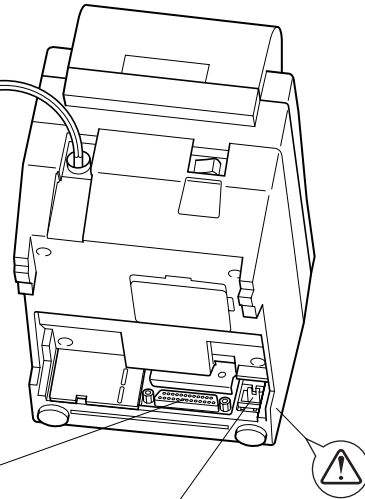


Pannello comandi

Dispone di due interruttori di controllo e due indicatori dello stato della stampante.

Cavo di alimentazione CA

Collegarlo ad una presa a muro della tensione specificata. La forma della spina del cavo di alimentazione CA varia a seconda del paese di destinazione.



Connettore interfaccia

Per collegare la stampante al computer ospite.

Connettore circuito pilota per unità periferiche

Per il collegamento a unità periferiche come registri di cassa, ecc. Non collegarlo ad un telefono.

Fig. 3-1 Vista esterna della stampante (tipo SP240)

4. Inserimento della cartuccia nastro e della carta

4-1. Tipo SP210

4-1-1. Inserimento della cartuccia nastro

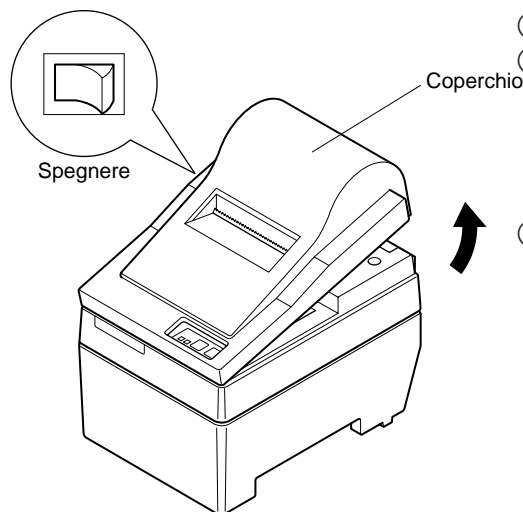


Fig. 4-1 Rimozione del coperchio

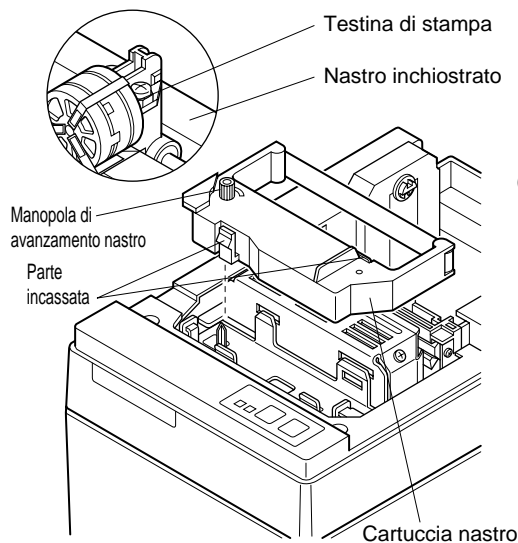


Fig. 4-2 Inserimento della cartuccia nastro

- ① Spegnere la stampante.
- ② Sollevare il coperchio di 3 cm circa. Tenere il coperchio inclinato a questa angolazione e tirarlo verso di sè per rimuoverlo.
- ③ Inserire la cartuccia nastro nella direzione mostrata nella Fig. 4-2 e premerla in basso per caricarla. Se il caricamento della cartuccia nastro non è soddisfacente, premere in basso la cartuccia nastro girando la manopola di avanzamento nastro in direzione della freccia.
- ④ Girare la manopola di avanzamento nastro della cartuccia nastro in direzione della freccia per eliminare l'allentamento del nastro.
- ⑤ Montare il coperchio con il procedimento inverso a quanto descritto al punto ② sopra.

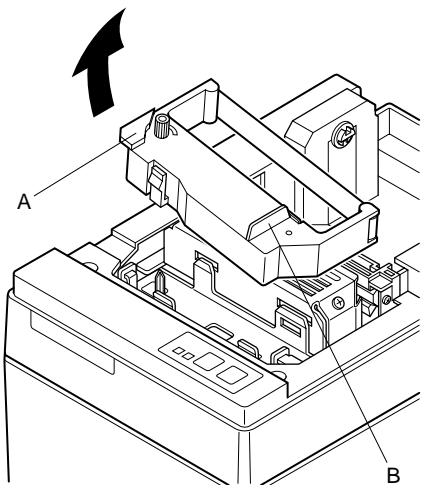


Fig. 4-3

Nota: Quando si rimuove la cartuccia nastro, sollevare la parte A e quindi rimuovere la cartuccia tenendo la parte B come mostrato nella Fig. 4-3.

4-1-2. Inserimento della carta

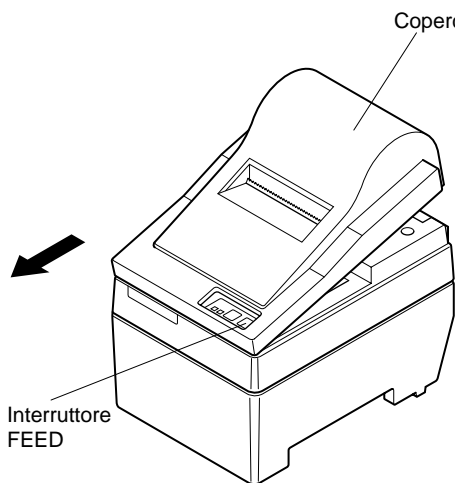


Fig. 4-4 Rimozione del coperchio

- ① Sollevare il coperchio di 3 cm circa. Tenere il coperchio inclinato a questa angolazione e tirarlo verso di sé per rimuoverlo.

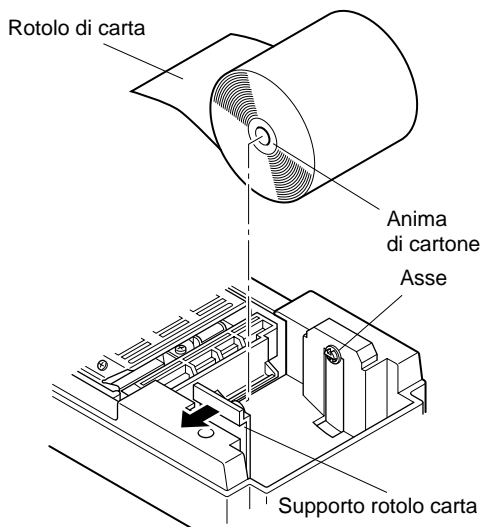


Fig. 4-5 Inserimento della carta

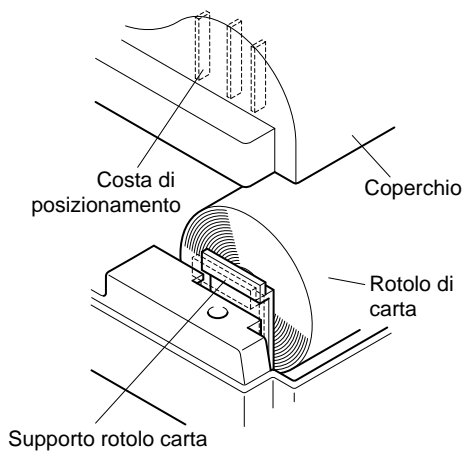


Fig. 4-6

- ② Tagliare perpendicolarmente l'estremità iniziale della carta del rotolo.
- ③ Verificare che la stampante sia accesa.
- ④ Osservando la direzione della carta del rotolo, inserire l'estremità superiore della carta sotto la guida della carta il più possibile. Se il rotolo carta è installato, l'estremità superiore della carta fuoriesce automaticamente dall'uscita carta.
- ⑤ Spostare il supporto rotolo carta in direzione della freccia e inserire il rotolo in modo che i fori nell'anima di cartone siano allineati con gli assi del supporto rotolo carta. Rilasciare il supporto rotolo carta per fissare la carta.
- ⑥ Se l'anima di cartone del rotolo carta non è stata allineata correttamente con il supporto rotolo carta, il coperchio non può essere applicato correttamente finché non si corregge la posizione della carta.
- ⑦ Premere l'interruttore FEED (avanzamento carta) per far avanzare la carta di circa 10 cm.
- ⑧ Inserire l'estremità superiore della carta nella fessura della barra di strappo e quindi montare il coperchio con il procedimento inverso di quello usato per rimuovere il coperchio al punto ① sopra.

Nota: Quando il segno di fine carta appare sulla carta, sostituire il rotolo di carta prima che finisca.

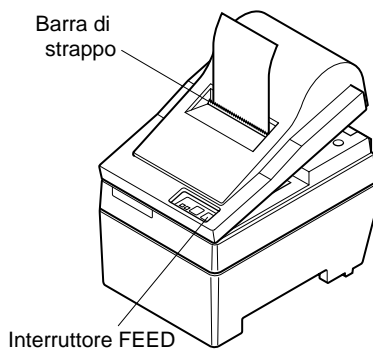


Fig. 4-7

4-2. Tipo SP240

4-2-1. Inserimento della cartuccia nastro

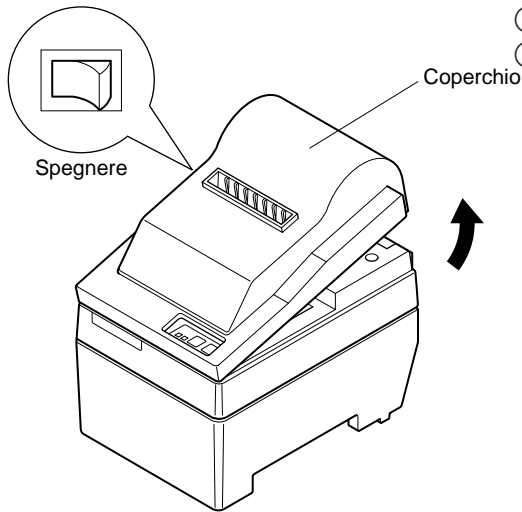


Fig. 4-8 Rimozione del coperchio

- ① Spegnere la stampante.
- ② Sollevare il coperchio di 3 cm circa. Tenere il coperchio inclinato a questa angolazione e tirarlo verso di sé per rimuoverlo.

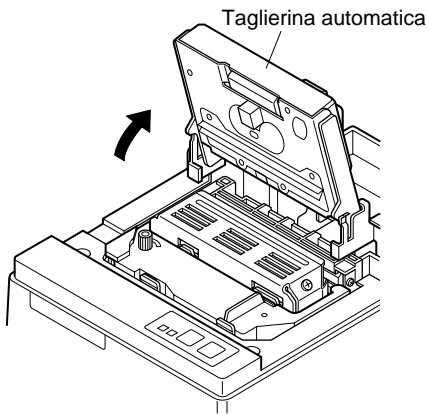


Fig. 4-9 Sollevamento della taglierina automatica

- ③ Sollevare la taglierina automatica e collocarla in posizione verticale, come mostrato nella Fig. 4-9.

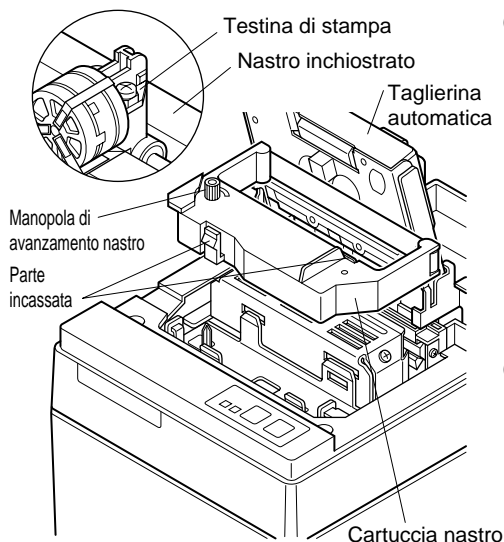


Fig. 4-10 Inserimento della cartuccia nastro

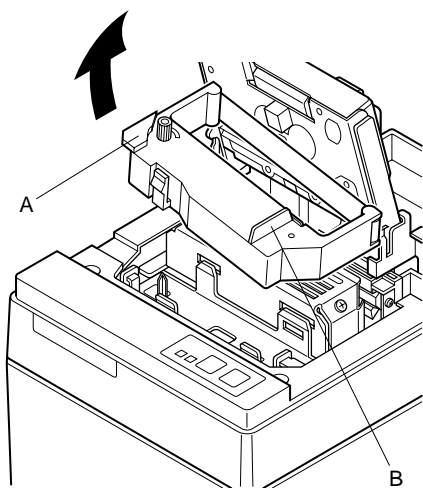


Fig. 4-11

④ Inserire la cartuccia nastro nella direzione mostrata nella Fig. 4-10 e premerla in basso per caricarla. Se il caricamento della cartuccia nastro non è soddisfacente, premere in basso la cartuccia nastro girando la manopola di avanzamento nastro in direzione della freccia.

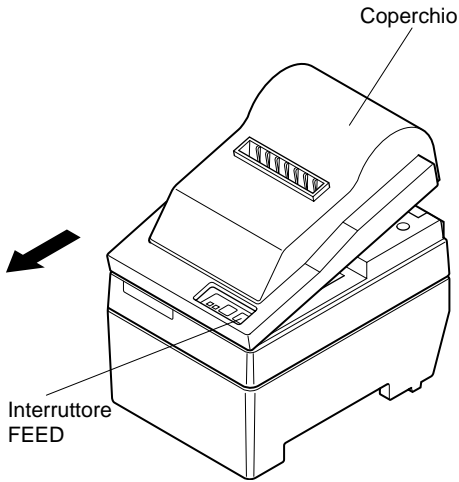
⑤ Girare la manopola di avanzamento nastro della cartuccia nastro in direzione della freccia per eliminare l'allentamento del nastro.

⑥ Chiudere la taglierina automatica.

⑦ Montare il coperchio con il procedimento inverso a quanto descritto al punto ② sopra.

Nota: Quando si rimuove la cartuccia nastro, sollevare la parte A e quindi rimuovere la cartuccia tenendo la parte B come mostrato nella Fig. 4-11.

4-2-2. Inserimento della carta



- ① Sollevare il coperchio di 3 cm circa. Tenere il coperchio inclinato a questa angolazione e tirarlo verso di sé per rimuoverlo.

Fig. 4-12 Rimozione del coperchio

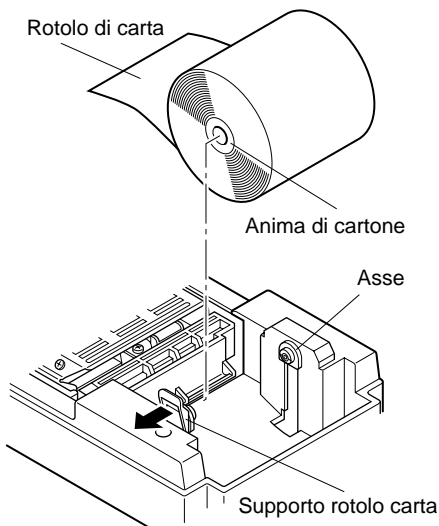


Fig. 4-13 Inserimento della carta

- ② Tagliare perpendicolarmente l'estremità iniziale della carta del rotolo.
- ③ Verificare che la stampante sia accesa.
- ④ Osservando la direzione della carta del rotolo, inserire l'estremità superiore della carta sotto la guida della carta il più possibile. Se il rotolo carta è installato, l'estremità superiore della carta fuoriesce automaticamente dall'uscita carta. Dopo che sono fuoriusciti 2 cm di carta, la carta viene tagliata automaticamente.
- ⑤ Spostare il supporto rotolo carta in direzione della freccia e inserire il rotolo in modo che i fori nell'anima di cartone siano allineati con gli assi del supporto rotolo carta. Rilasciare il supporto rullo carta per fissare la carta.
- ⑥ Se l'anima di cartone del rotolo carta non è stata allineata correttamente con il supporto rotolo carta, il coperchio non può essere applicato correttamente finché non si corregge la posizione della carta.

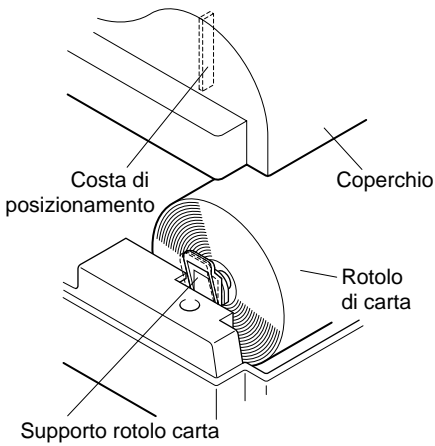


Fig. 4-14

- ⑦ Premere l'interruttore FEED (avanzamento carta) per far avanzare la carta di circa 10 cm.

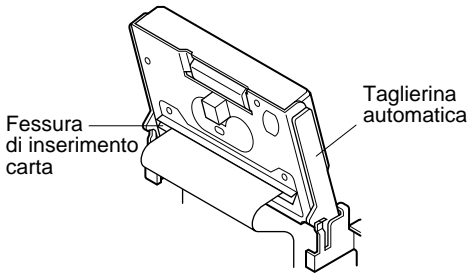


Fig. 4-15 Inserimento della carta nella taglierina automatica

- ⑧ Inserire l'estremità superiore della carta nella fessura carta della taglierina automatica.
- Quando si usa carta autocopiante, inserire solo l'originale (il foglio superiore) nella fessura della taglierina automatica. Inserire la carta su cui si copia (il foglio inferiore) tra il rullo e la taglierina automatica.

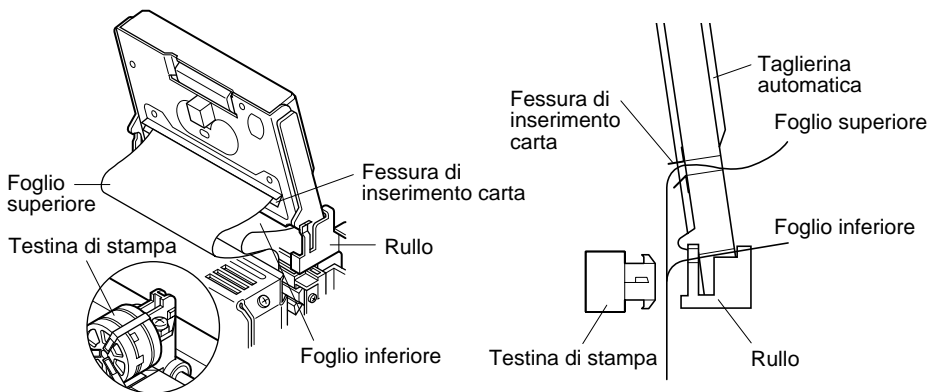


Fig. 4-16 Inserimento della carta nella taglierina automatica (quando si usa carta autocopiante)

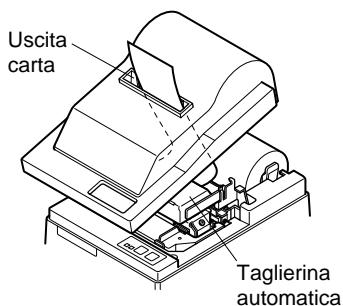


Fig. 4-17 Uscita carta sul coperchio anteriore

- ⑨ Tirare il bordo della carta per eliminare eventuali allentamenti e quindi abbassare la taglierina automatica.
- ⑩ Inserire la carta attraverso l'apertura carta e quindi rimettere il coperchio seguendo in ordine inverso il procedimento di rimozione.

Nota: Quando il segno di fine carta appare sulla carta, sostituire il rotolo di carta prima che finisca.

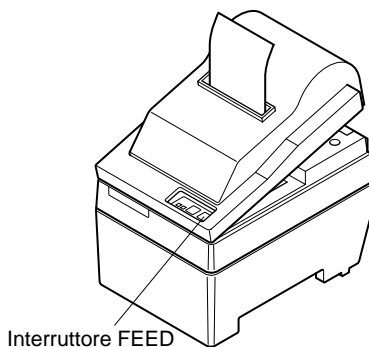


Fig. 4-18

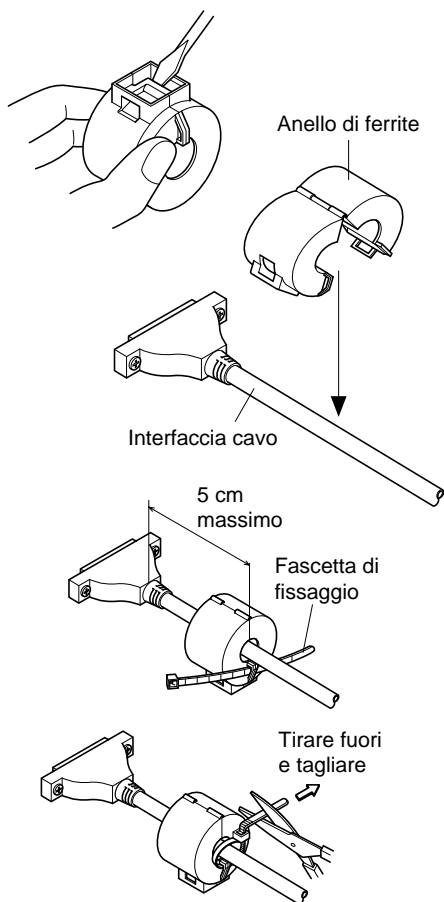
4-3. Rimozione della carta

Rimuovere il coperchio, quindi tagliare la carta vicino al retro della guida carta e premere l'interruttore FEED per far fuoriuscire la carta rimanente nell'unità. Quando la carta è finita la spia POWER lampeggia.

- Nota**
1. Rimuovere la carta rimanente nella stampante premendo l'interruttore FEED.
 2. Quando il segno di fine carta appare sulla carta, sostituire il rotolo di carta prima che finisca.
 3. Quando si rimuove l'anima di cartone del rotolo, aprire il supporto rotolo carta.

4-4. Collegamento del cavo interfaccia

4-4-1. Installazione dell'anello di ferrite (solo UE)



- ① Fissare l'anello di ferrite sul cavo interfaccia seriale/parallelo come mostrato nell'illustrazione. Se l'anello di ferrite non è aperto, usare un cacciavite per forzarlo aperto, facendo attenzione a non danneggiare l'anello o la chiusura.
- ② Far passare la fascetta di fissaggio attraverso l'anello di ferrite.
- ③ Far passare la fascetta intorno al cavo e fissarla.
Tagliare via l'eccesso con delle forbici.
Applicare l'anello di ferrite solo ai cavi di stampanti venduti nell'UE.

Fig. 4-19

4-4-2. Cavo interfaccia seriale

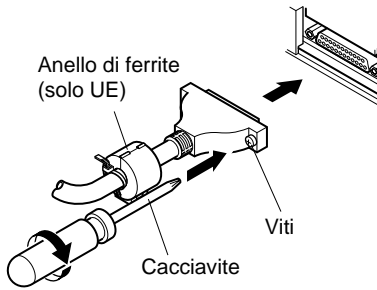


Fig. 4-20 Collegamento del cavo interfaccia

- ① Spegnerne sia il computer ospite che la stampante.
- ② Inserire il connettore ad un capo del cavo interfaccia nel connettore sulla stampante e l'altro connettore nel connettore sul computer ospite.
- ③ Fissare le viti destra e sinistra dei rispettivi connettori interfaccia per fissare in posizione i connettori.

4-4-3. Cavo interfaccia parallelo

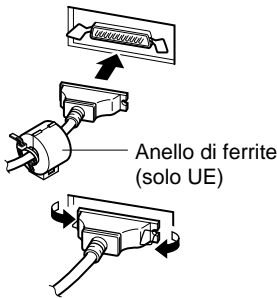


Fig. 4-21 Collegamento del cavo interfaccia parallelo

- ① Spegnerne sia il computer ospite che la stampante.
- ② Inserire un terminale del cavo interfaccia nel connettore sulla stampante, come mostrato nella figura, e fissarlo con il morsetto.
- ③ Inserire l'altro terminale del cavo interfaccia nel connettore sul computer ospite e fissare anche questo con il morsetto.

5. Pannello comandi

5-1. Funzionamento basilare

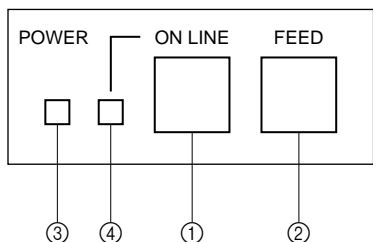


Fig. 5-1 Pannello comandi

- ① Interruttore ON LINE
Alterna lo stato della stampante tra “on-line” e “off-line”. La commutazione tra “on-line” e “off-line” è possibile solo quando c'è carta inserita nella stampante.
- ② Interruttore FEED
- Quando si preme questo interruttore e lo si rilascia entro 0,5 sec., la carta avanza di una riga.
 - Quando si tiene premuto questo interruttore per più di 0,5 sec., la carta avanza continuamente.
(L'operazione di avanzamento carta sopra descritta è possibile in entrambi i modi “on-line” e “off-line”).

- ③ Spia POWER (LED verde)
- Si illumina quando la stampante è accesa.
 - Lampeggia quando la carta è esaurita, si verifica un errore meccanico, c'è un allarme dovuto a surriscaldamento della testina o si verifica un errore CPU.
 - Se la carta è esaurita, inserire altra carta e premere l'interruttore ON LINE.
 - Se la spia POWER lampeggia a causa di un errore meccanico, spegnere la stampante ed eliminare la causa dell'errore meccanico, quindi riaccendere la stampante per inicializzarla.
 - Se la spia POWER lampeggia a causa dell'allarme di surriscaldamento testina, la stampante viene reimpostata automaticamente quando la temperatura della testina scende.
- ④ Spia ON LINE (LED verde)
- LED illuminato: Stampante “on-line”
LED spento: Stampante “off-line”
LED lampeggiante: Errore CPU

Quando la spia POWER e la spia ON LINE si illuminano contemporaneamente, si è verificato un errore CPU.

② <Modo di scaricamento esadecimale>

ON LINE + **POWER ON** (accendere tenendo premuto l'interruttore **ON LINE**)

Ciascuno dei segnali inviati dal computer alla stampante viene stampato in codice esadecimale.

Questa funzione permette di controllare se un codice di controllo inviato alla stampante dal programma usato è corretto o meno. L'ultima riga non viene stampata se i suoi dati non consistono di una riga completa. Tuttavia, se si preme l'interruttore ON LINE per impostare il modo "off-line" l'ultima riga viene stampata. Per disattivare questo modo, è necessario spegnere completamente la stampante.

00 01 02 03 04 05 06 07
08 09 0A 0B 0C 0D 0E 0F
10 11 12 13 14 15 16 17
18 19 1A 1B 1C 1D 1E 1F
20 21 22 23 24 25 26 27	!"#\$%&'
28 29 2A 2B 2C 0A	()*+,. .

Fig. 5-3 Esempio di stampa a scaricamento esadecimale

6. Codici di controllo

Modo STAR

6-1. Codici di controllo usati nell'impostazione dei caratteri

Codici di controllo	Codici esadecimali	Funzione
<ESC> "R" n	1B 52 n	Seleziona il gruppo caratteri internazionale. Il default è in base all'impostazione degli interruttori Dip 3, 4 e 5.
<ESC> "M"	1B 4D	Seleziona il formato caratteri 7 × 7 (mezzi punti) (impostazione default)
<ESC> "P"	1B 50	Seleziona il formato caratteri 9 × 7 (mezzi punti)
<SO>	0E	Seleziona il modo caratteri espanso
<SI>	0F	Disattiva il modo caratteri espanso (impostazione default)
<DC4>	14	Disattiva il modo caratteri espanso (impostazione default)
<ESC> "W" "1" <ESC> "W" <1>	1B 57 31 1B 57 01	Seleziona il modo caratteri espanso
<ESC> "W" "0" <ESC> "W" <0>	1B 57 30 1B 57 00	Disattiva il modo caratteri espanso (impostazione default)

6-2. Codici di controllo usati nell'impostazione del modo di stampa

Codici di controllo	Codici esadecimali	Funzione
<ESC> "4"	1B 34	Selezione della stampa in colore rosso (abilitata per la SP216)
<ESC> "5"	1B 35	Deselezione della stampa in colore rosso (abilitata per la SP216) (impostazione default)
<ESC> "E"	1B 45	Selezione del modo stampa enfattizzata
<ESC> "F"	1B 46	Deselezione del modo stampa enfattizzata (impostazione default)

6-3. Codici di controllo usati nella spaziatura delle righe

Codici di controllo	Codici esadecimali	Funzione
<LF>	0A	Avanzamento di riga
<CR>	0D	Avanzamento di riga (come LF)
<ESC> "a" n	1B 61 n	Avanzamento della carta di n righe

6-4. Codici di controllo usati per unità periferiche

Codici di controllo	Codici esadecimali	Funzione
<ESC> <BEL> n1 n2	1B 07 n1 n2	Regola l'ampiezza degli impulsi di pilotaggio per l'unità periferica (impostazione default)
<BEL>	07	Comando di pilotaggio differito "A" per unità periferica 1
<FS>	1C	Comando di pilotaggio immediato "B" per unità periferica 1

6-5. Controllo della taglierina automatica (solo tipo SP240)

Codici di controllo	Codici esadecimali	Funzione
<ESC> "d" "0" <ESC> "d" <0>	1B 64 30 1B 64 00	Comando di taglio completo alla taglierina automatica
<ESC> "d" "1" <ESC> "d" <1>	1B 64 31 1B 64 01	Comando di taglio parziale alla taglierina automatica

6-6. Altri codici di controllo

Codici di controllo	Codici esadecimali	Funzione
<CAN>	18	Cancella i dati di stampa nel buffer
<ESC> "@"	1B 40	Inizializza la stampante
<ESC> "e" "0" <ESC> "e" <0>	1B 65 30 1B 65 00	Interruttore ON LINE/FEED valido (impostazione default)
<ESC> "e" "1" <ESC> "e" <1>	1B 65 31 1B 65 01	Interruttore ON LINE/FEED non valido
<ESC> "f" "0" <ESC> "f" <0>	1B 66 30 1B 66 00	Interruttore ON LINE valido (impostazione default)
<ESC> "f" "1" <ESC> "f" <1>	1B 66 31 1B 66 01	Interruttore ON LINE non valido

Appendix A: Serial Interface

A-1. Connectors and Signals

RS-232C

Pin no.	Signal name	I/O direction	Function
1	F-GND	—	Frame ground
2	N/C		Not connected
3	RXD	IN	Received data
4	RTS	OUT	Data transmission request signal. This is always “SPACE” when the printer is turned on. (Always “SPACE” status)
5-6	N/C		Not connected
7	S-GND	—	Signal ground
8-10	N/C		Not connected
11	RCH	OUT	When the printer is ready to receive data, the signal line is same as pin 20.
12	N/C		Not connected
13	GND	—	Signal ground
14	$\overline{\text{FAULT}}$	OUT	When printer error occurs (such as paper out, mechanical error, etc.) this signal changes to “MARK”.
15-19	N/C		Not connected
20	DTR	OUT	Data terminal ready signal. When the printer is ready to receive data, this signal changes to “SPACE”.
21-25	N/C		Not connected

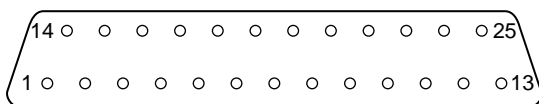


Fig. A-1 Serial interface connector

A-2. Interface Connections

The following is a basic example of interface connections. (For interface connections, refer to the specifications for the respective interface.)

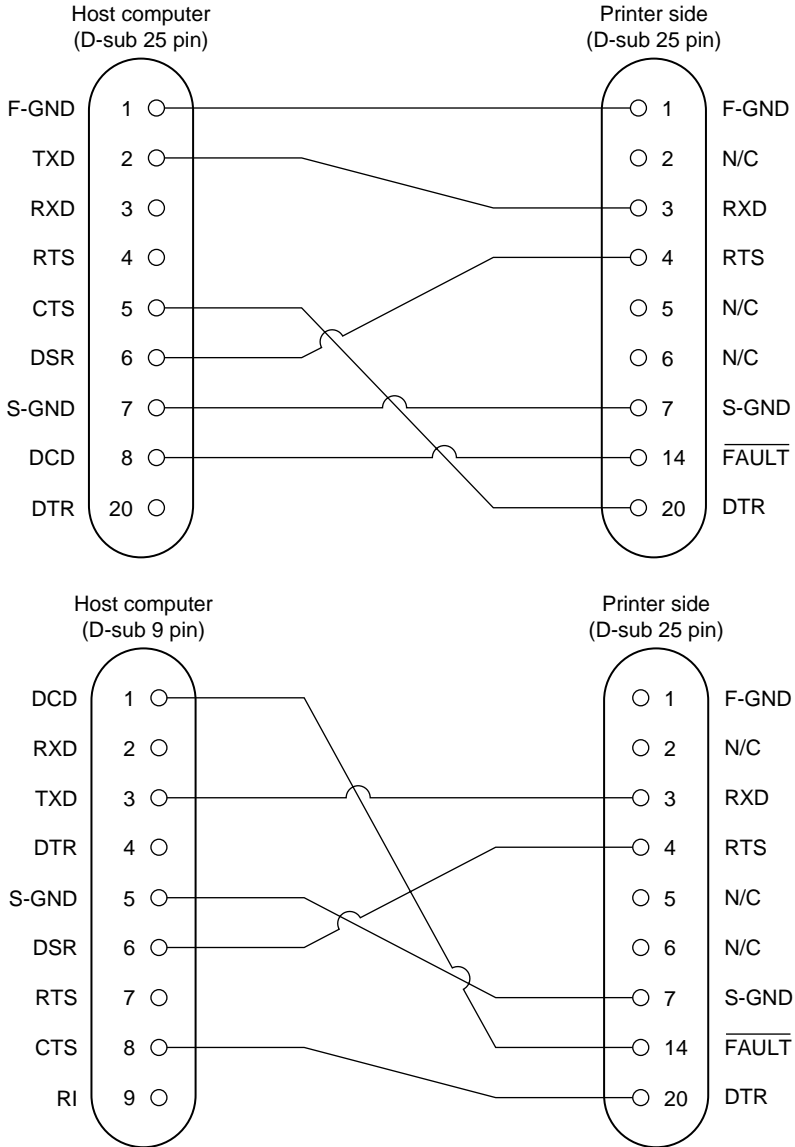


Fig. A-2 Example of interface connections

A-3. Dip Switch Setting

Each of the switches in the DIP switch array is factory preset to ON. Be sure to turn the power to both the printer and host computer off before changing the setting of the DIP switches.

The dip switch array will appear when the ROM cover is removed.

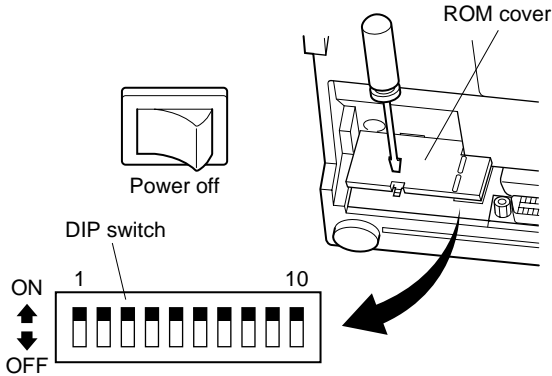


Fig. A-3 DIP switch array

■ DIP-SW

Factory presetting: all on

Switch	Function	ON	OFF
1	Command mode	STAR mode	VeriFone mode
2	Control code CR	Invalid	Valid
3	International character set	Refer to the following.	
4			
5			
6	Data transmission rate	Refer to the following.	
7			
8	Data bit	8-data bit	7-data bit
9	Parity check	No	Yes
10	Parity	Odd	Even

□ International character set

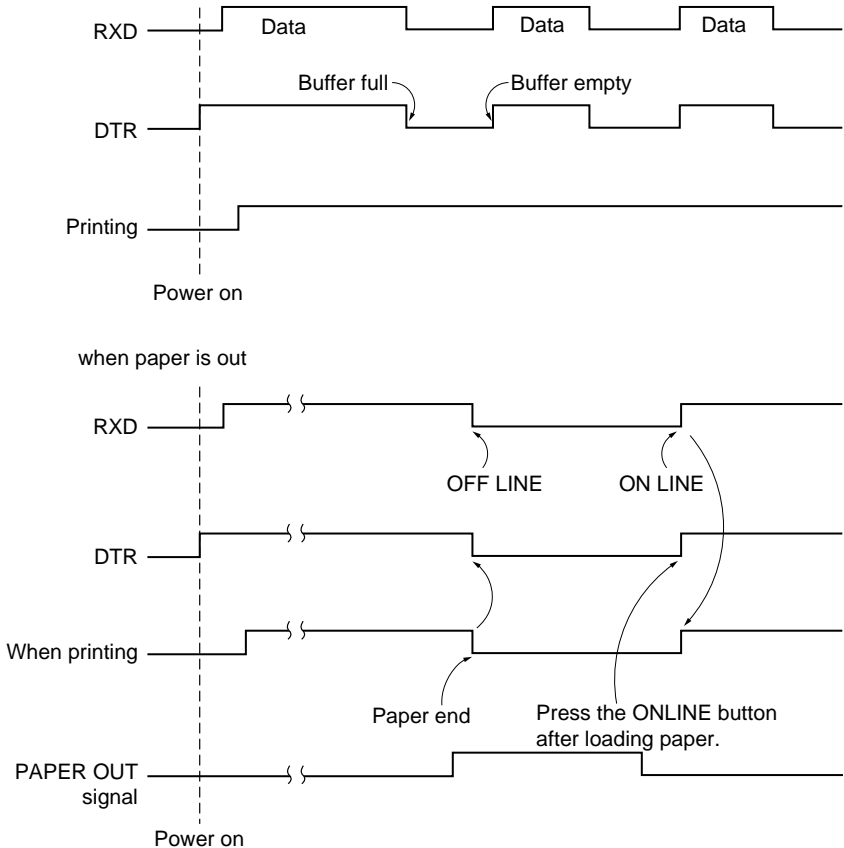
Switch	U.S.A.	France	Germany	England	Denmark	Sweden	Italy	Spain
3	ON	OFF	ON	OFF	ON	OFF	ON	OFF
4	ON	ON	OFF	OFF	ON	ON	OFF	OFF
5	ON	ON	ON	ON	OFF	OFF	OFF	OFF

□ **Data transmission rate (baud rate)**

Baud rate	Switch 6	Switch 7
1200	OFF	OFF
2400	OFF	ON
4800	ON	OFF
9600	ON	ON

A-4. Communication Protocol

Signals are controlled using the DTR line as BUSY flag.



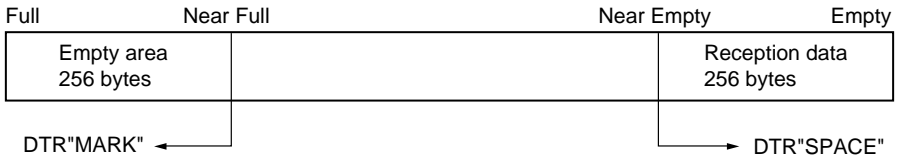
If printer errors do not occur after the power is turned on, the DTR signal line changes to “SPACE”.

When the host computer confirms that the DTR signal line is set to “SPACE”, the host computer sends the data text via the RXD signal line to the printer. Also, the printer will set the DTR signal line to “MARK” when the empty space in the data

buffer is below 256 bytes. After the host computer detects that the DTR signal line is at “MARK”, transmission of the data text is stopped. In this instance, data can still be received up until the data buffer becomes completely full.

When the empty space in the data buffer is increased by following printing (when the data in the data buffer is reduced to 256 bytes or less), the printer sets the DTR signal line to “SPACE”.

Data buffer



[Paper out]

When the “paper out” detector senses the end of the paper, the printer stops printing after printing or feeding a maximum of two more lines on the paper. Immediately after a “paper out” condition is detected, the printer sets to OFF LINE and the DTR changes to “MARK”. (To reset printer after a “paper out”, load paper into the printer and press the ON LINE switch to set the printer to ON LINE.)

[Mechanical error]

Mechanical errors are detected when the motor locks and the unit will not print. Immediately after a mechanical error occurs, the printer sets the DTR to “MARK” and then sets the printer to OFF LINE. To cancel a mechanical error, turn the power to the printer off and remove the cause of the error then turn the power on again to reset the printer.

[Framing error]

A framing error occurs when “SPACE” is detected at the stop bit. When a framing error or a vertical parity error occurs for the data which is received, the printer prints out a “?” mark to indicate that the error occurred.

Appendix B: Parallel Interface

B-1. Interface Specifications

The operating specifications of the parallel interface are as follows.

- (1) Data transfer rate : 1000 to 6000 characters per second
- (2) Synchronization : Via externally supplied $\overline{\text{STROBE}}$ pulses
- (3) Handshaking : $\overline{\text{ACK}}$ and BUSY signals
- (4) Logic level : Compatible with TTL level

B-2. Interface Timing

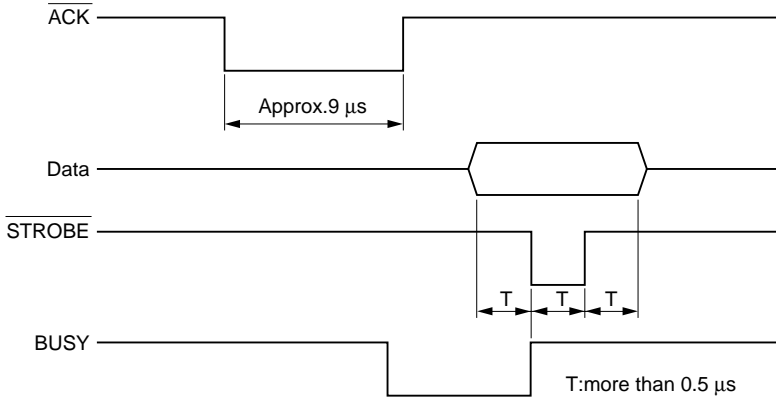


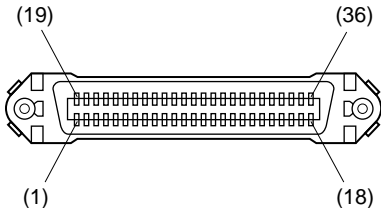
Fig. B-1 Interface timing diagram

	Signal Name	Circuit Example
INPUT	DATA 1-DATA 8 (To Printer)	<p style="text-align: right;">74HC Compatible</p>
	$\overline{\text{STROBE}}$ (To Printer)	<p style="text-align: right;">74HC Compatible</p>
OUTPUT	BUSY , $\overline{\text{ACK}}$ (From Printer)	<p style="text-align: right;">74LS Compatible</p>

Fig. B-2 Typical interface circuit

B-3. Connectors and Signals

Pin No.	Signal Name	IN/OUT	Function
1	$\overline{\text{STROBE}}$	IN	Signals when data is ready to be read. Signal goes from HIGH to LOW (for at least 0.5 microsec.) when data is available.
2-9	DATA1-8	IN	These signals provide the information of the first to eighth bits of parallel data. Each signal is at HIGH level for a logical 1 and at a LOW level for a logical 0.
10	$\overline{\text{ACK}}$	OUT	A 9 microsecond LOW pulse acknowledges receipt of data.
11	BUSY	OUT	When this signal goes LOW, the printer is ready to accept data. When the printer is in one of the conditions below. "HIGH" is set. 1. Data being entered. 2. Off line. 3. Error condition.
12	PAPER OUT	OUT	This signal is normally LOW. It will go HIGH if the printer runs out of paper.
13	SELECTED	OUT	This signal is HIGH when the printer is online.
14-15	N/C		Not connected
16	SIGNAL GND		Signal ground.
17	CHASSIS GND		Chassis ground, isolated from logic ground.
18	+5VDC		+5VDC (Max 50 mA)
19-30	GND		Twisted pair return signal ground level.
31	$\overline{\text{RESET}}$	IN	When this signal goes LOW, the printer is reset to its power-on condition.
32	$\overline{\text{ERROR}}$	OUT	This signal is normally HIGH. This signal goes LOW to signal that the printer cannot print due to an error condition. Refer to Item 8-4 Emergency Suspension.
33	EXT GND		External ground.
34	OUT1	OUT	Unused.
35	N/C		Not connected
36			The printer side is always set to HIGH.



This connector mates with an Amphenol 57-30360 connector

Fig. B-3. Parallel interface connector (printer side)

B-4. Dip Switch Setting

Each of the switches in the DIP switch array is factory preset to ON. Be sure to turn the power to both the printer and host computer off before changing the setting of the DIP switches.

The dip switch array will appear when the ROM cover is removed.

The ROM cover should be returned to its original position after DIP switch setting.

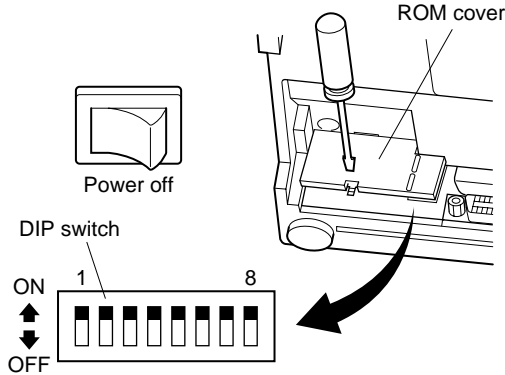


Fig. B-4 DIP switch array

■ DIP-SW

Factory presetting: all on

SW	Function	ON	OFF
1	Paper out detection	Valid	Invalid
2	Control code CR	Invalid	Valid
3	International character set	See below	
4			
5			
6	Data buffer	Available (approx. 1k byte)	Unavailable (1 line)
7	Character generation setting	See below	
8			

International character set

Switch	U.S.A.	France	Germany	England	Denmark	Sweden	Italy	Spain
3	ON	OFF	ON	OFF	ON	OFF	ON	OFF
4	ON	ON	OFF	OFF	ON	ON	OFF	OFF
5	ON	ON	ON	ON	OFF	OFF	OFF	OFF

Character generation

SW	US	EC	JP	JP
7	ON	ON	OFF	OFF
8	ON	OFF	ON	OFF

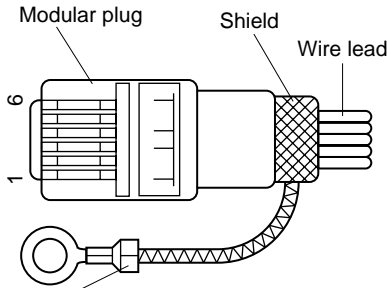
Appendix C: Peripheral Unit Drive Circuit

A drive circuit for driving peripheral units (such as cash drawers) is featured on the main logic board of this printer. A modular connector for driving peripheral unit is featured on the output side on the drive circuit. When using this circuit, connect the cable for the peripheral unit. (Cables must be prepared by the user.)

Note: Peripheral unit drive circuit connector only connects to peripheral units such as cash drawers, etc.

Do not connect it to a telephone.

Use cables which meet the following specifications.



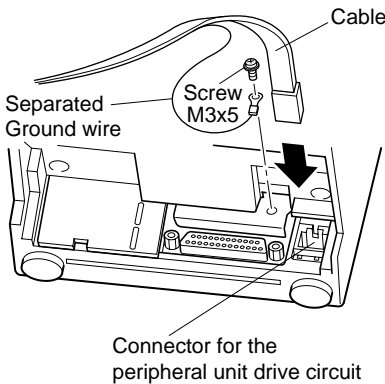
Manufacturer	Model
MOLEX	90075-0007
AMP	641337
JAPAN BURNDY	B-66-4

Separated Ground wire connected to shield (Europe only).

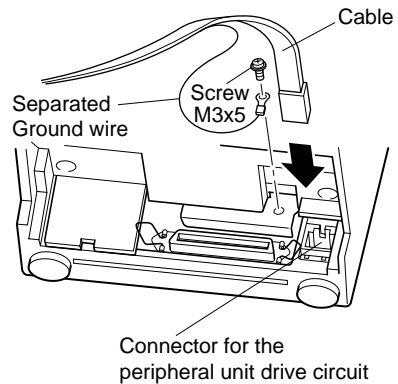
Note: Pin 1 must be shield drain wire connected to peripheral device frame ground.

Fig. C-1 Cable specifications

① Connecting the cable



SERIAL INTERFACE

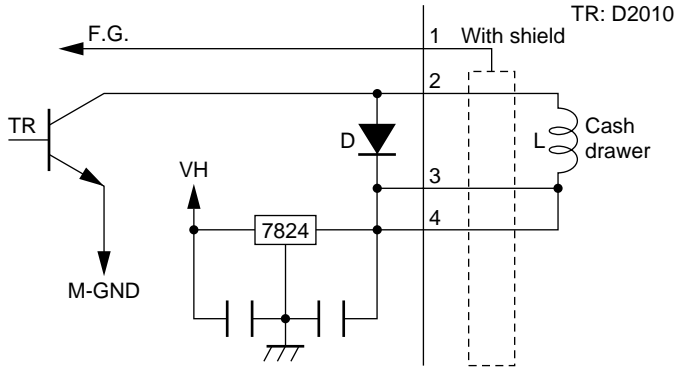
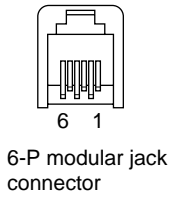


PARALLEL INTERFACE

Separated ground wire is required for Europe only.

Fig. C-2 Connecting the cable

② Drive circuit



Drive output	24V, max. 1.0 A
--------------	-----------------

Fig. C-3 Drive circuit

Appendix D: General Specifications

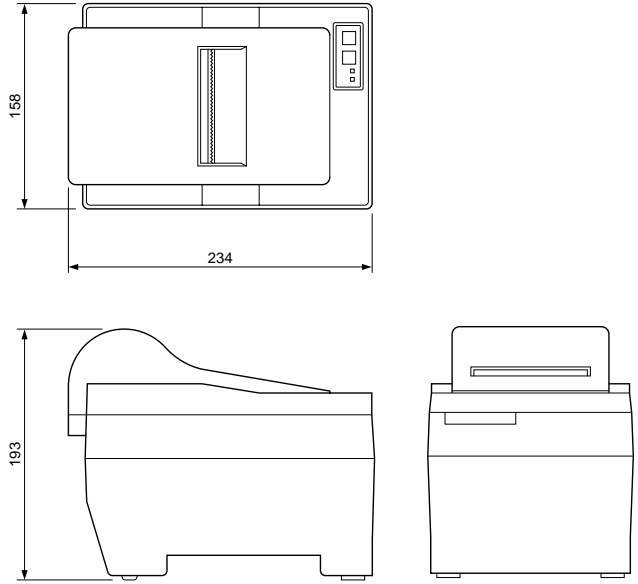
Printing method:	Serial impact dot matrix
Print direction:	Bi-directional
Number of head pins:	7 wires
Number of print columns:	42 columns, 16 CPI
Character set:	ASCII 96 (characters) Special characters 64 IBM special characters 83 International characters 12
Font configuration	7 (Half dots) × 7 or 9 (Half dots) × 7

Paper width	3.0 inch (76 mm)	
CPI	16	13.4
Number of columns	42	35
Column spacing (mm)	1.58	1.90
Character size (mm)	1.28 × 2.87	1.59 × 2.87
Dot space (H × V mm)	0.316 × 0.423	0.316 × 0.423
Print area (mm)	66.0	66.0

Print speed:	Approx. 2.5 lines per sec.
Line spacing:	1/6-inch
Paper feed method:	Friction feed
Paper feed speed:	Approx. 9 lines/sec.
Paper specifications	
Paper type:	Ordinary bond and carbonless copy paper
Paper width:	76±0.5 mm (3.0 inches)
Roll diameter:	85mm (3.35 inches) max.
Internal diameter of roll:	12±1 mm
	Note: The paper must not be glued to the core.
Thickness	SP210 (single) 0.07 mm to 0.10 mm (copies) Original + 2 copies (Max. 0.2 mm)
	SP240 (single) 0.07 mm to 0.10 mm (copies) Original + 1 copies (Max. 0.1 mm)
	Note: The auto-cutter built into this SP240 series product has been designed for a maximum paper thickness of 0.1 mm. This thickness is rated to a maximum paper capacity of 2 ply paper, were each sheet is set at 0.05 mm. Exceeding the 0.1 mm paper thickness auto-cutter specification will not insure proper cutting.

Paper cutter reliability (SP240 type only)	300,000 cut (MCBF)
Ink ribbon specifications	
Ribbon type:	Cartridge cassette
Color:	SP212/242 type: Single color (Purple or black) SP216/246 type: Two color (Black and red)
Ribbon material:	Nylon 66 (#40 denier)
Ribbon life:	Single color: Purple 3,000,000 characters Black 1,200,000 characters Two color: Black on two color 600,000 characters Red on two color 300,000 characters
Interface	
Serial interface:	RS232C serial interface
Parallel interface:	Centronics compatible
Data buffer:	Approx. 1K
Peripheral unit drive circuit:	1 circuits (24V, max. 1A)
Overall dimensions:	SP210 type: 158W × 234 D × 193H (mm) SP240 type: 158W × 240 D × 193H (mm)
Weight:	SP210 type: Approx. 2.2kg SP240 type: Approx. 2.6kg
Power Supply:	120VAC ±10% 0.3A 60Hz 230 VAC ±10% 0.25A 50/60Hz 240VAC ±10% 17W 50Hz
AC power cable:	Approx. 180 cm long
Power consumption:	Max. 21 W Avg. 17W (During continuous printing of ASCII characters)
Ambient temperature/humidity	
Operating temperature:	0°C to +50°C
Operating humidity:	10% to 90% RH (without condensation)
Storage temperature:	-20°C to +70°C
Storage humidity:	5% to 95%RH (at 40°C, without condensation)
Mechanism reliability:	2,500,000 lines MCBF (except head life and auto cutter)
Print head life:	75 million characters
Accessory	This printer has no optional accessory.

SP210 Type



SP240 Type

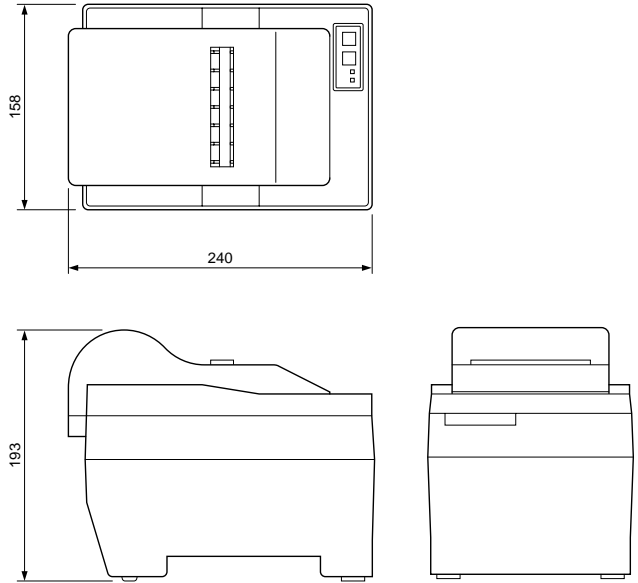


Fig. D-1 Overall dimensions (mm)

Appendix E: Character Font Table

E-1. U.S.A.

Hexa-decimal	0	1	2	3	4	5	6	7
0	0	16	32	48	64	80	96	112
			SP	0	@	P	'	p
1	1	17	33	49	65	81	97	113
			!	1	A	Q	a	q
2	2	18	34	50	66	82	98	114
			"	2	B	R	b	r
3	3	19	35	51	67	83	99	115
			#	3	C	S	c	s
4	4	20	36	52	68	84	100	116
		<DC4>	\$	4	D	T	d	t
5	5	21	37	53	69	85	101	117
			%	5	E	U	e	u
6	6	22	38	54	70	86	102	118
			&	6	F	V	f	v
7	7	23	39	55	71	87	103	119
	<BEL>		'	7	G	W	g	w
8	8	24	40	56	72	88	104	120
	<CAN>	(8	H	X	h	x
9	9	25	41	57	73	89	105	121
)		9	I	Y	i	y
A	10	26	42	58	74	90	106	122
	<LF>		*	:	J	Z	j	z
B	11	27	43	59	75	91	107	123
	<ESC>	+	;		K	[k	{
C	12	28	44	60	76	92	108	124
	<FS>	,	<		L	\	l	
D	13	29	45	61	77	93	109	125
	<CR>	-	=		M]	m	}
E	14	30	46	62	78	94	110	126
	<SO>	.	>		N	^	n	~
F	15	31	47	63	79	95	111	127
	<SI>	/	?		O	_	o	⊗

(SP: Space)

Hexa- decimal	8	9	A	B	C	D	E	F
0	SP 128	SP 144	Ä 160	é 176	ù 192	ā 208	SP 224	SP 240
1	SP 129	SP 145	Ö 161	è 177	ū 193	â 209	SP 225	SP 241
2	SP 130	SP 146	Ü 162	ē 178	û 194	° 210	SP 226	SP 242
3	SP 131	SP 147	ß 163	ê 179	ç 195	°C 211	SP 227	SP 243
4	SP 132	SP 148	§ 164	ï 180	ì 196	°F 212	SP 228	SP 244
5	SP 133	SP 149	a 165	í 181	ñ 197	Ω 213	SP 229	SP 245
6	SP 134	SP 150	o 166	ì 182	ñ 198	μ 214	SP 230	SP 246
7	SP 135	SP 151	f 167	ï 183	Ë 199	Σ 215	SP 231	SP 247
8	SP 136	SP 152	ç 168	î 184	o 200	σ 216	SP 232	SP 248
9	SP 137	SP 153	½ 169	ö 185	i 201	¯ 217	SP 233	SP 249
A	SP 138	SP 154	ñ 170	ó 186	Å 202	T _L 218	SP 234	SP 250
B	SP 139	SP 155	ı 171	ò 187	φ 203	X 219	SP 235	SP 251
C	SP 140	SP 156	ƒ 172	ō 188	θ 204	∞ 220	SP 236	SP 252
D	SP 141	SP 157	¼ 173	ô 189	ä 205	± 221	SP 237	SP 253
E	SP 142	SP 158	Ä 174	ü 190	á 206	÷ 222	SP 238	SP 254
F	SP 143	SP 159	ë 175	ú 191	à 207	π 223	SP 239	SP 255

(SP: Space)

E-2. Europe

Hexa- decimal	0	1	2	3	4	5	6	7
0	0	16	32	48	64	80	96	112
			SP	0	@	P	'	p
1	1	17	33	49	65	81	97	113
			!	1	A	Q	a	q
2	2	18	34	50	66	82	98	114
			"	2	B	R	b	r
3	3	19	35	51	67	83	99	115
			#	3	C	S	c	s
4	4	20	36	52	68	84	100	116
		<DC4>	\$	4	D	T	d	t
5	5	21	37	53	69	85	101	117
		§	%	5	E	U	e	u
6	6	22	38	54	70	86	102	118
			&	6	F	V	f	v
7	7	23	39	55	71	87	103	119
			'	7	G	W	g	w
8	8	24	40	56	72	88	104	120
		<CAN>	(8	H	X	h	x
9	9	25	41	57	73	89	105	121
)	9	I	Y	i	y
A	10	26	42	58	74	90	106	122
		<LF>	*	:	J	Z	j	z
B	11	27	43	59	75	91	107	123
		<ESC>	+	;	K	[k	{
C	12	28	44	60	76	92	108	124
		<FS>	,	<	L	\	l	
D	13	29	45	61	77	93	109	125
		<CR>	-	=	M]	m	}
E	14	30	46	62	78	94	110	126
		<SO>	.	>	N	^	n	~
F	15	31	47	63	79	95	111	127
		<SI>	/	?	O	_	o	

(SP: Space)

Hexa- decimal	8	9	A	B	C	D	E	F
0	Ç 128	É 144	á 160	SP 176	SP 192	SP 208	α 224	≡ 240
1	ü 129	æ 145	í 161	SP 177	SP 193	SP 209	β 225	± 241
2	é 130	Æ 146	ó 162	SP 178	SP 194	SP 210	Γ 226	≥ 242
3	â 131	ô 147	ú 163	SP 179	SP 195	SP 211	π 227	≤ 243
4	ä 132	ö 148	ñ 164	SP 180	SP 196	SP 212	Σ 228	SP 244
5	à 133	ò 149	Ñ 165	SP 181	SP 197	SP 213	σ 229	SP 245
6	â 134	û 150	a 166	SP 182	SP 198	SP 214	μ 230	÷ 246
7	ç 135	ù 151	o 167	SP 183	SP 199	SP 215	τ 231	≈ 247
8	ê 136	ÿ 152	¿ 168	SP 184	SP 200	SP 216	Φ 232	° 248
9	ë 137	Ö 153	¬ 169	SP 185	SP 201	SP 217	Θ 233	▪ 249
A	è 138	Ü 154	¬ 170	SP 186	SP 202	SP 218	Ω 234	- 250
B	ï 139	ç 155	½ 171	SP 187	SP 203	SP 219	δ 235	√ 251
C	î 140	£ 156	¼ 172	SP 188	SP 204	SP 220	∞ 236	∩ 252
D	ì 141	¥ 157	ì 173	SP 189	SP 205	SP 221	φ 237	² 253
E	Ä 142	Ŕ 158	« 174	SP 190	SP 206	SP 222	€ 238	▪ 254
F	Å 143	f 159	» 175	SP 191	SP 207	SP 223	∩ 239	255

(SP: Space)

E-3. International Character Sets

Hexadecimal	23	24	40	5B	5C	5D	5E	60	7B	7C	7D	7E
U. S. A.	#	\$	@	[\]	^	`	{		}	~
France	#	\$	à	°	ç	§	^	`	é	ù	è	¨
Germany	#	\$	§	Ä	Ö	Ü	^	`	ä	ö	ü	ß
England	£	\$	@	[\]	^	`	{		}	~
Denmark 1	#	\$	@	Æ	Ø	Å	^	`	æ	ø	å	~
Sweden	#	¤	É	Ä	Ö	Å	Ü	é	ä	ö	å	ü
Italy	#	\$	@	°	\	é	^	ù	à	ò	è	ì
Spain 1	₠	\$	@	ı	Ñ	¿	^	'	¨	ñ	}	~
Japan	#	\$	@	[¥]	^	`	{		}	~
Norway *1	#	¤	É	Æ	Ø	Å	Ü	é	æ	ø	å	ü
Denmark 2 *1	#	\$	É	Æ	Ø	Å	Ü	é	æ	ø	å	ü

*1 VeriFont only

E-4. VeriFont

Hexa- decimal	0	1	2	3	4	5	6	7
0	0	16	32	48	64	80	96	112
			SP	0	@	P	`	p
1	1	17	33	49	65	81	97	113
			!	1	A	Q	a	q
2	2	18	34	50	66	82	98	114
		<DC2>	"	2	B	R	b	r
3	3	19	35	51	67	83	99	115
			#	3	C	S	c	s
4	4	20	36	52	68	84	100	116
			\$	4	D	T	d	t
5	5	21	37	53	69	85	101	117
			%	5	E	U	e	u
6	6	22	38	54	70	86	102	118
			&	6	F	V	f	v
7	7	23	39	55	71	87	103	119
			'	7	G	W	g	w
8	8	24	40	56	72	88	104	120
		<CAN>	(8	H	X	h	x
9	9	25	41	57	73	89	105	121
)	9	I	Y	i	y
A	<LF>	26	42	58	74	90	106	122
			*	:	J	Z	j	z
B	11	27	43	59	75	91	107	123
		<ESC>	+	;	K	[k	{
C	<FF>	<FS>	,	<	L	\	l	
D	13	29	45	61	77	93	109	125
		<GS>	-	=	M]	m	}
E	14	30	46	62	78	94	110	126
	<SO>	<RS>	.	>	N	^	n	~
F	15	31	47	63	79	95	111	127
	<SI>	<US>	/	?	O	_	o	SP

(SP: Space)

Hexa-decimal	8	9	A	B	C	D	E	F
0	-- 128	— 144	SP 160	° 176	À 192	D 208	à 224	õ 240
1	¡ 129	 145	ì 161	± 177	Á 193	N 209	á 225	ñ 241
2	¡ 130	‡ 146	Ç 162	2 178	Â 194	Ò 210	â 226	ò 242
3	¡ 131	‡ 147	£ 163	3 179	Ã 195	Ó 211	ã 227	ó 243
4	‡ 132	‡ 148	α 164	' 180	Ä 196	Ô 212	ä 228	ô 244
5	‡ 133	‡ 149	¥ 165	μ 181	Å 197	Õ 213	å 229	õ 245
6	‡ 134	‡ 150	¡ 166	¶ 182	Æ 198	Ö 214	æ 230	ö 246
7	‡ 135	‡ 151	§ 167	° 183	Ç 199	Œ 215	ç 231	œ 247
8	‡ 136	‡ 152	¨ 168	' 184	È 200	Ø 216	è 232	ø 248
9	‡ 137	‡ 153	θ 169	1 185	É 201	Ù 217	é 233	ù 249
A	‡ 138	‡ 154	à 170	ó 186	Ê 202	Ú 218	ê 234	ú 250
B	1 139	6 155	« 171	» 187	Ë 203	Û 219	ë 235	û 251
C	2 140	7 156	¬ 172	¼ 188	Ì 204	Ü 220	ì 236	ü 252
D	3 141	8 157	– 173	½ 189	Í 205	Ý 221	í 237	ý 253
E	4 142	9 158	ø 174	¾ 190	Î 206	Þ 222	î 238	þ 254
F	5 143	10 159	- 175	¿ 191	Ï 207	ß 223	ï 239	ÿ 255

(SP:Space)



**ELECTRONIC PRODUCTS DIVISION
STAR MICRONICS CO., LTD.**

536 Nanatsushinnya, Shimizu, Shizuoka,
424-0066 Japan
Tel: 0543-47-0112, Fax: 0543-48-5271

Please access the following URL
http://www.star-micronics.co.jp/service/sp_sup_e.htm
for the latest revision of the manual.

**OVERSEAS SUBSIDIARY COMPANIES
STAR MICRONICS AMERICA, INC.**

1150 King Georges Post Road, Edison, NJ 08837-3729 U.S.A.
Tel: 732-623-5555, Fax: 732-623-5590

STAR MICRONICS U.K. LTD.

Star House, Peregrine Business Park, Gomm Road,
High Wycombe, Bucks, HP13 7DL, U.K.
Tel: 01494-471111, Fax: 01494-473333